



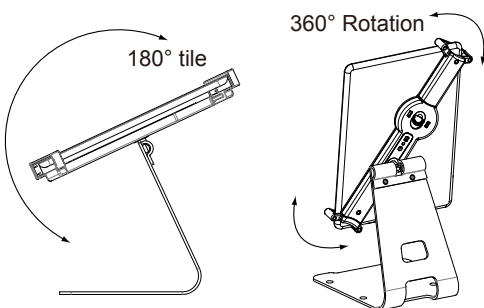
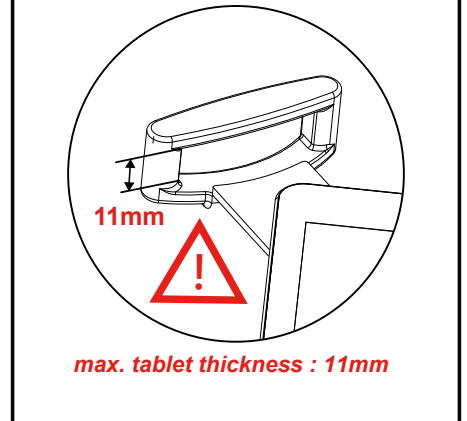
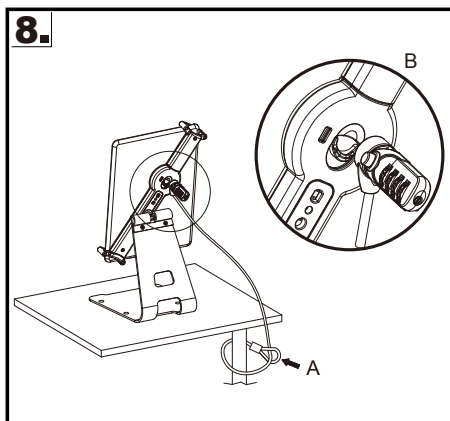
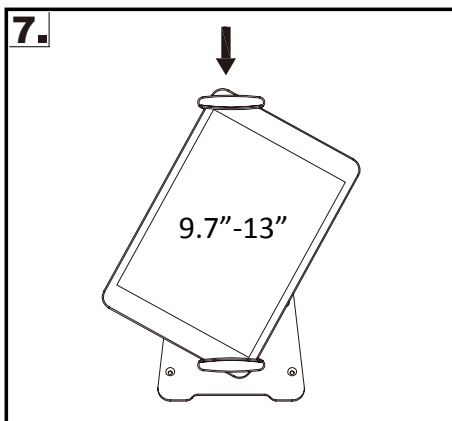
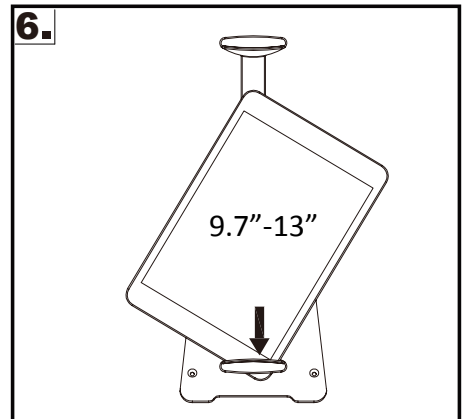
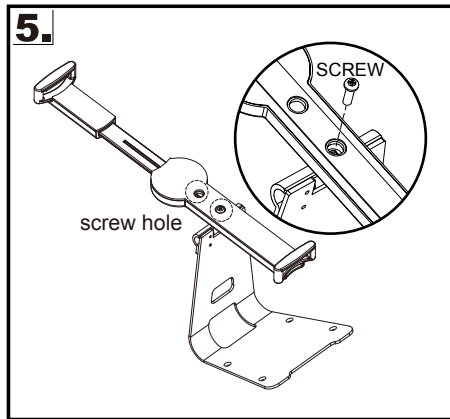
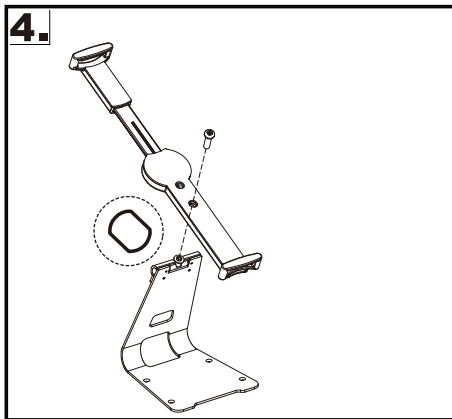
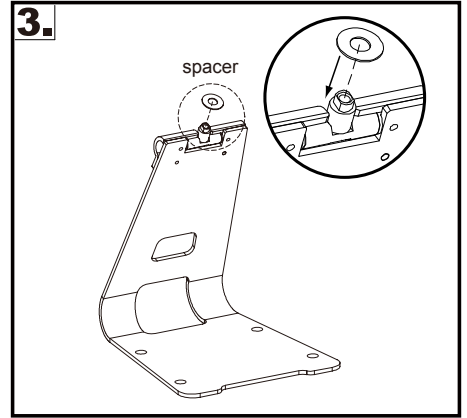
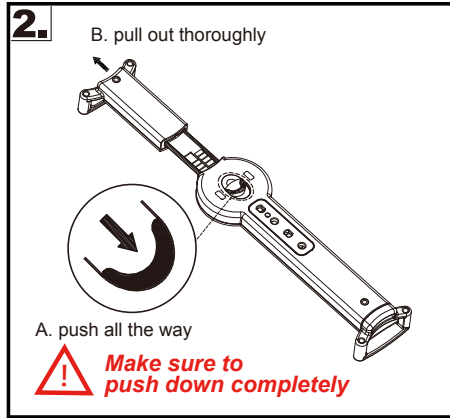
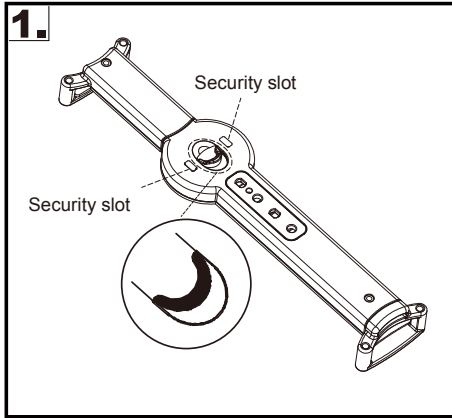
Adjustable Anti-Theft Security Grip and Stand for iPad Pro & Large Tablets 9.7" - 13"

INSTRUCTION MANUAL

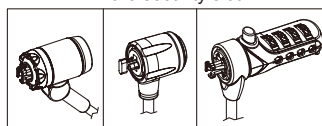
PAD-ATGSL

Thank you for choosing CTA Digital's product. We hope that you will enjoy using it. Please follow the guidelines and instructions as laid out in this instruction manual.

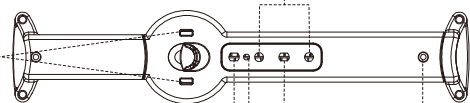
INSTALLATION INSTRUCTIONS



Compatible with various locking solutions in the security slot.



Tri-pod compatible (1/4-20UNC screw)



apply to VESA Mount (75x75mm)

apply to our standard stand (M4 screw) only

* For Adjustable Tablet Lock only, please refer to step 1, 2, 6, 7 and 8 of installation instructions.