

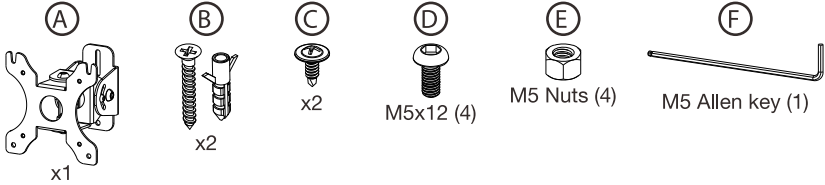


Articulating VESA Plate for Poles, Beams, & Corners (Black)

ADD-AVPMB

INSTRUCTION - MANUAL

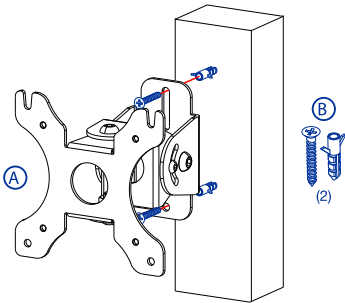
CONTENTS:



INSTRUCTIONS:

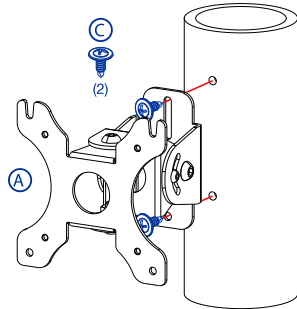
1 - When installing a wall

- 1A. First, locate where you want to mount your setup. Align VESA wall mount's base plate (A) to wall and mark off with a pencil (not included).
- 1B. Next remove your VESA wall mount, drill into the wall using a power drill (not included) with a drill bit that matches the diameter and length of your screw (B). Insert Anchors (B).
- 1C. Place VESA plate back up against the wall and rotate in two screws (B) at the mounting locations until securely tightened as shown above.

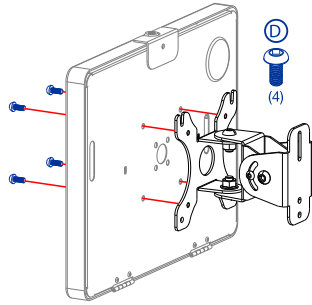


2 - When installing on a pole

- 2A. Align your VESA wall mount (A) to the desired mounting location on the pole. Rotate in two screws (C) as shown below using screw driver tool (not included) until securely tightened.



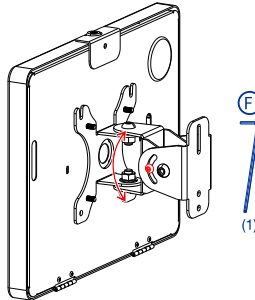
3 - Attaching Enclosure (not included) to VESA Mount



**Enclosure for Illustration Purposes Only and Not Included*

3A. Align the VESA mount (A) VESA holes with the VESA holes of the enclosure. Using provided screw (D), rotate in four screws from the front through the enclosure into the threaded holes of VESA plate of the VESA mount using provided tool (F). Rotate until securely tightened. Repeat for all 4 holes.

4 - Tilt Adjustability



**Enclosure for Illustration Purposes Only and Not Included*

4A. Using provided tool (F), loosen the locking screws to allow adjustments to be made to the tilt in the vertical and horizontal orientations. Slide to desired setting, then use the same tool to lock everything in place.

