



SKU:  
ADD-AVPMB

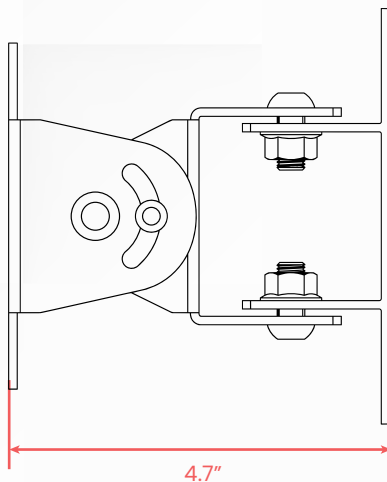
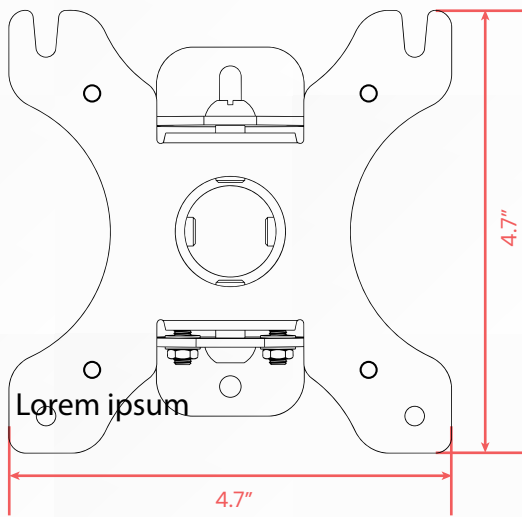


# Articulating VESA Plate for Poles, Beams, and Corners w/ Security Holder Black

## PRODUCT DATA SHEET



### DIMENSIONS:



### FEATURES:

- Features VESA-compatible 75x 75- and 100 x 100-mm mount.
- Weight load capacity: 11lbs.
- Metal stand with durable matte black finish
- Articulating joint allows angle adjustment for ideal viewing
- Compatible with CTA's Paragon Enclosures or VESA compatible monitors
- Easily mounts to walls, beams, pipes, or corners

### SPECIFICATIONS:

- Holder dimensions: 6.3"W x 13.9"L x 1"H
- Holder Range: 8"-12.5"
- Base dimensions: 2.4 x 4.6 x 4.6 inches
- Weight: 0.8 lbs.



COMPATIBLE WITH CTA'S ENCLOSURES AND VESA MONITORS

SMOOTH MOUNTING WITH PRE-DRILLED HOLES

VESA Compatibility 75x75 mm, 100x100 MM