

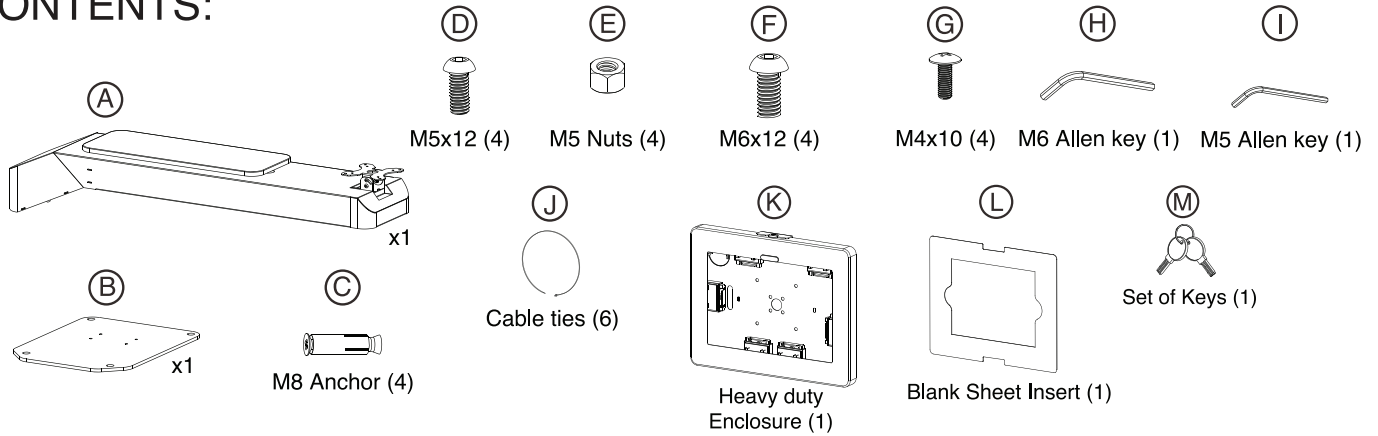


Integrated LED Floor Stand with Premium Locking Enclosure (White) for Medium Tablets

PAD-VFSKLED

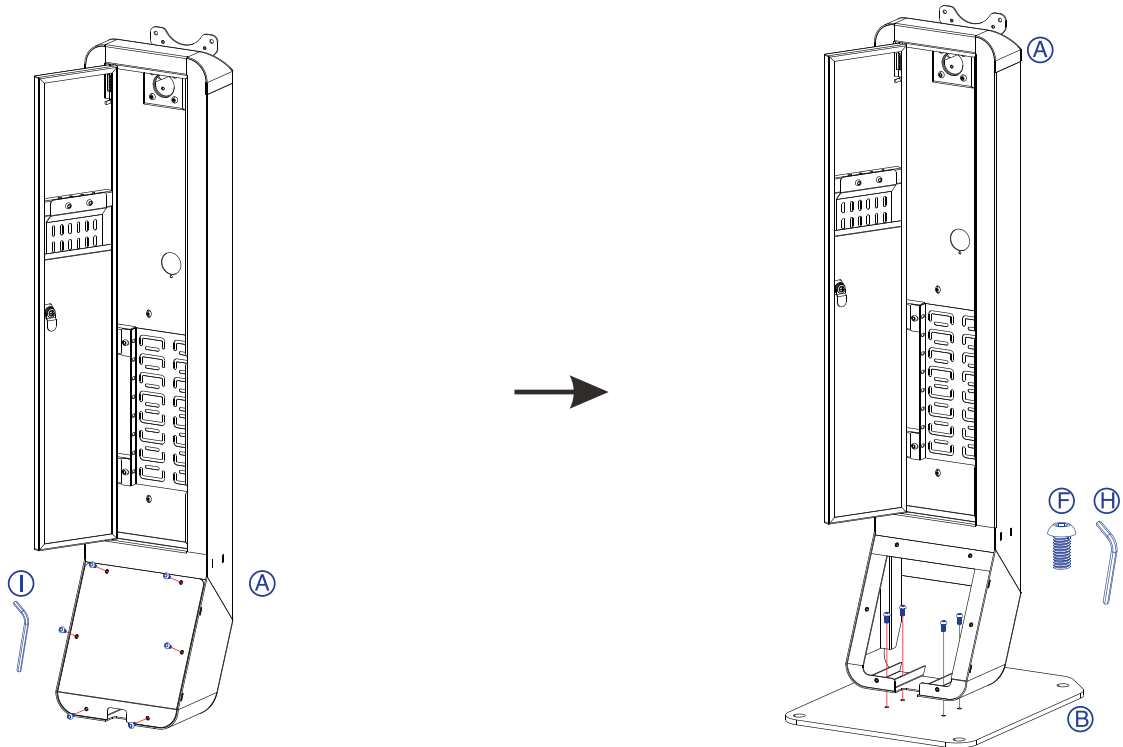
INSTRUCTION MANUAL

CONTENTS:



INSTALLATION:

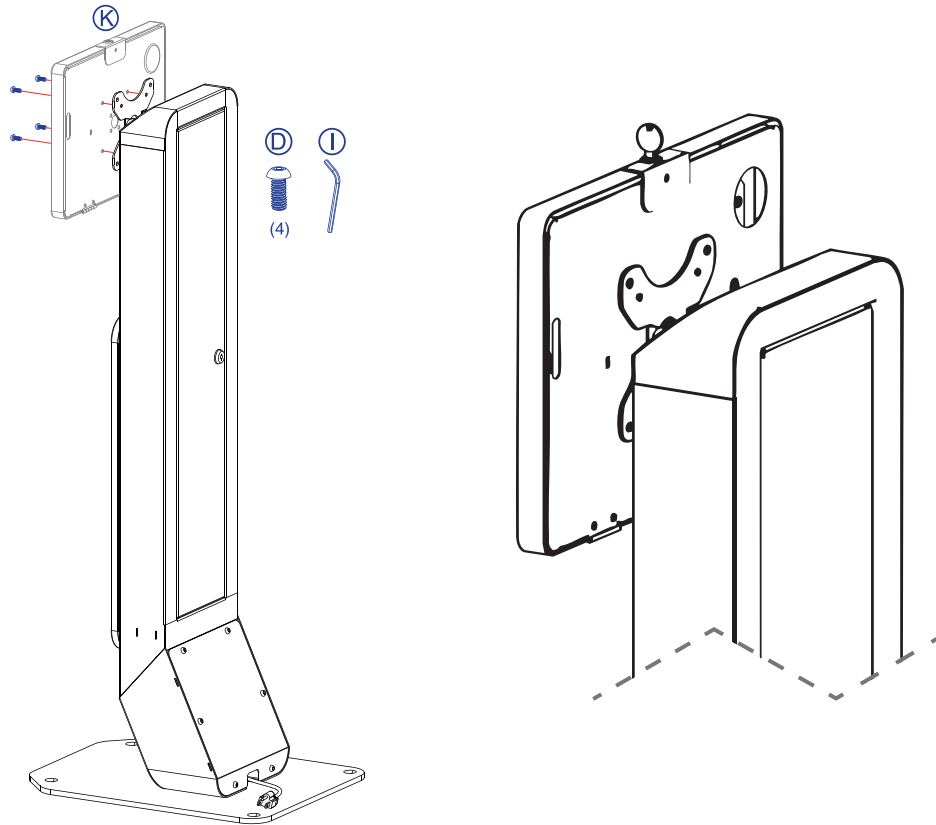
1. Attaching Floorstand Body to Base Plate



1A. Remove the cover to the bottom access panel of the floorstand base area (A) by using the provided tool (I) at the four integral screw locations and removing screws and cover.

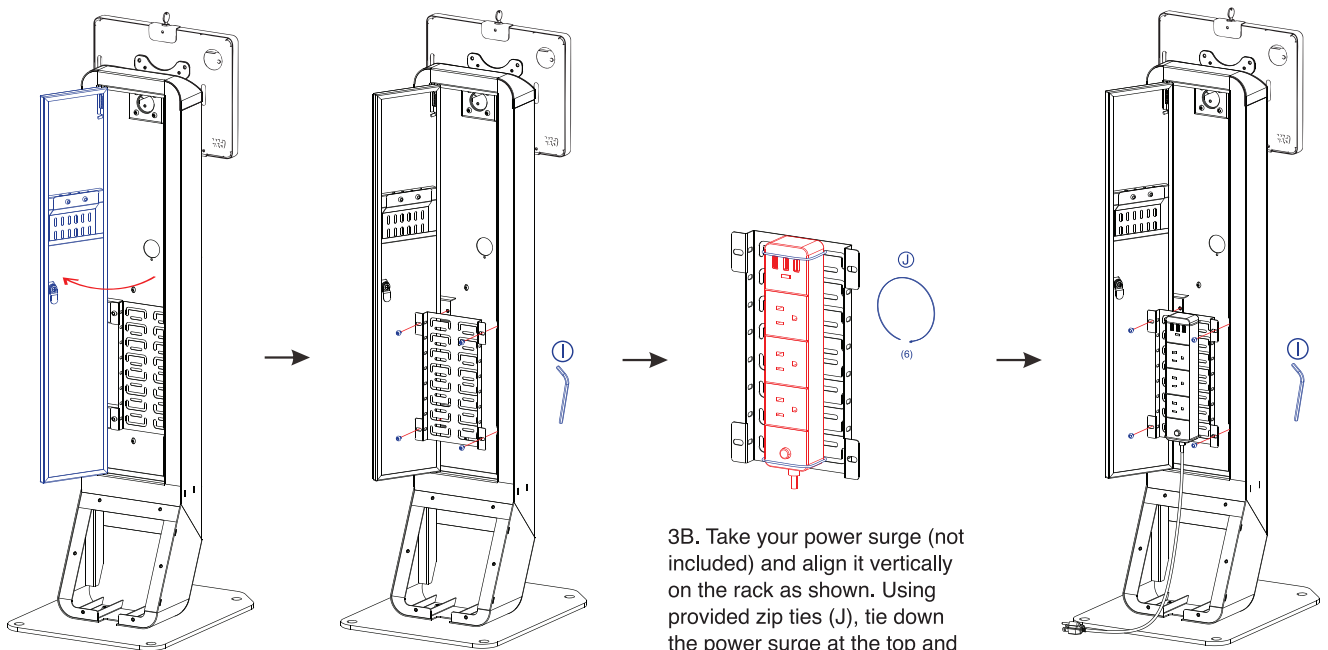
1B. Align the floorstand body (A) mounting holes to the base plate (B) mounting holes as shown above. Rotate in four screws (F) from above using provided tool (H) until securely tightened.

2. Attaching Enclosure to Floorstand



2A. Align VESA holes of enclosure (K) to the VESA holes of VESA plate of floor stand. Rotate in four screws (D) from the front of the enclosure as shown above using provided tool (I). Rotate until securely tightened. Place device in AFTER you have mounted the enclosure to the floorstand.

3. Setting up the Storage Rack

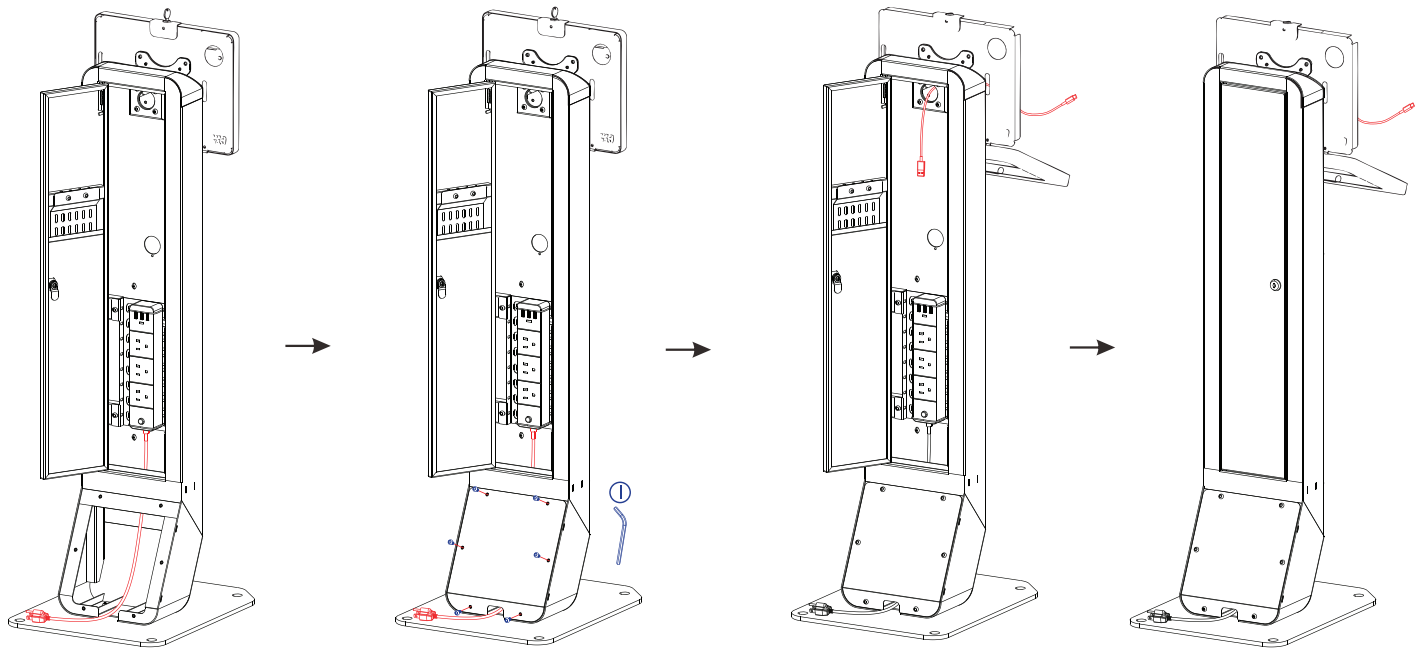


3A. Open the main access panel door and find the storage rack. Using provided tool (I), unscrew the four integral screws and remove the rack as shown above.

3B. Take your power surge (not included) and align it vertically on the rack as shown. Using provided zip ties (J), tie down the power surge at the top and bottom until secure.

3C. Take the now attached power surge and rack and screw everything back in place using provided tool (I) until secure.

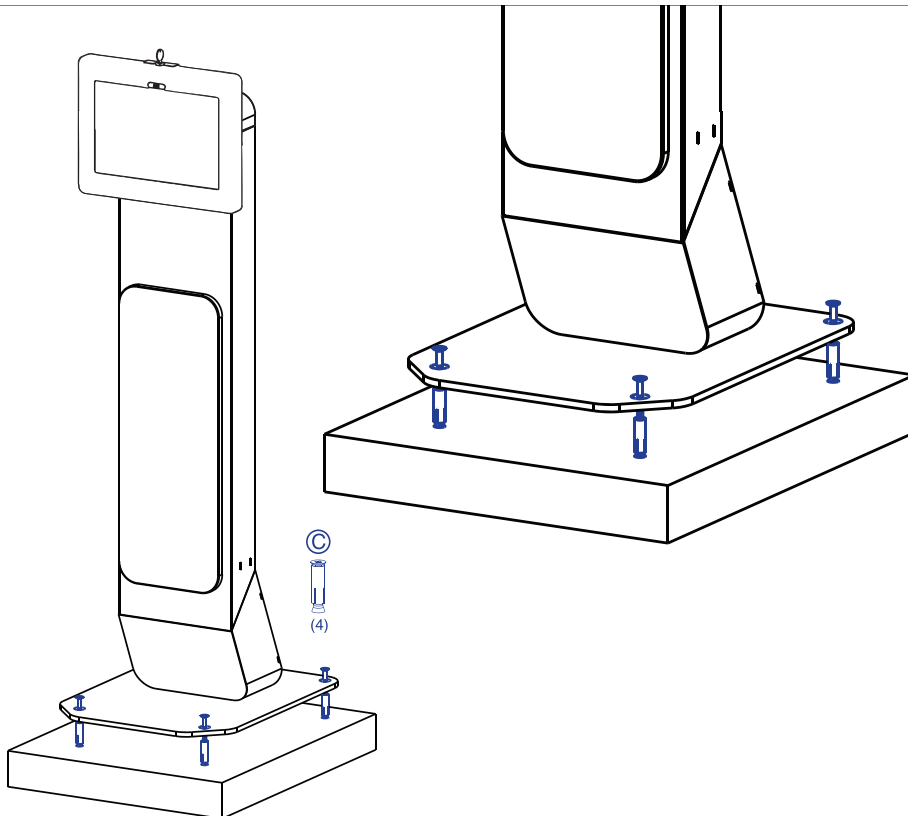
4. Setting Up Cable Routing



4A. Take the power surge cord (not included) and route it through the base access panel area. Have it come out where there is a notch at the bottom. Take the base access panel cover and place it back on top as shown above. Rotate in the original four integral screws using provided tool (I) until securely tightened.

4B. Open your main back door access panel. Take your display device's power cord (not included) and pre-route it through the opening at the top as shown. Later when you attach the device, easily connect one end into the display.

5. Mounting to Surface



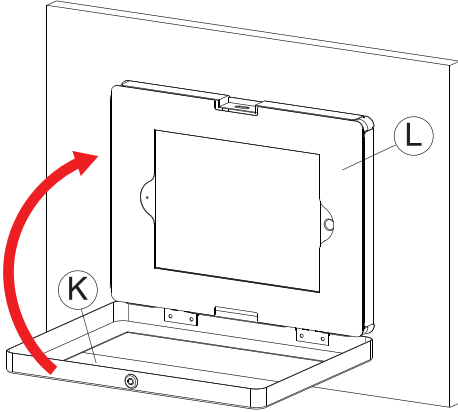
5A. First, find the surface location where you wish to mount the floorstand to. Mark off the locations of the four mounting holes of the base plate.

Next, pre-drill holes using a power drill (not included) and drill bit (Not included) that match the diameter and length of the screws (C). Insert anchors at all four locations.

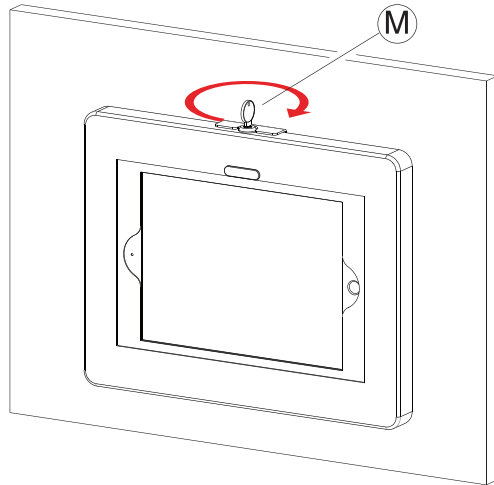
Align the four mounting holes of the floorstand base to the pre-drilled mounting locations. Insert four screws (C) using screwdriver tool (not included) until securely tightened.

6. Setting up Security

**Tablet shown for illustration only, NOT INCLUDED.



6A. Once the tablet device is set up, close the front lid of the enclosure.

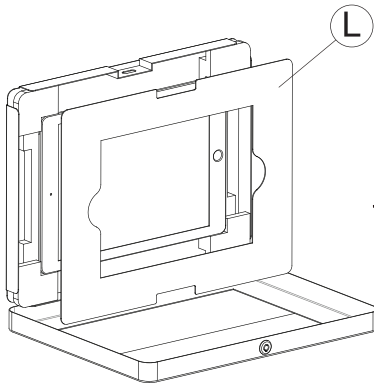


**Tablet shown for illustration only, NOT INCLUDED.

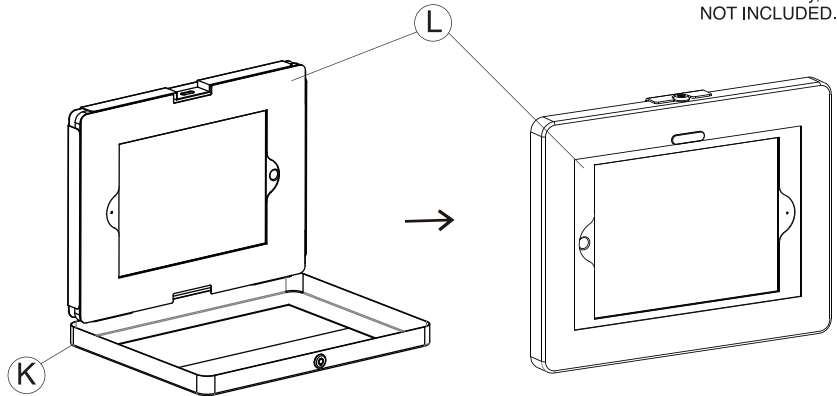
6B. Insert the key (M) in the keyhole on top of the enclosure, and turn clockwise to lock the enclosure in place.

7. Optional - Placing Blank Sheet Insert into Enclosure

**Tablet shown for illustration only, NOT INCLUDED.

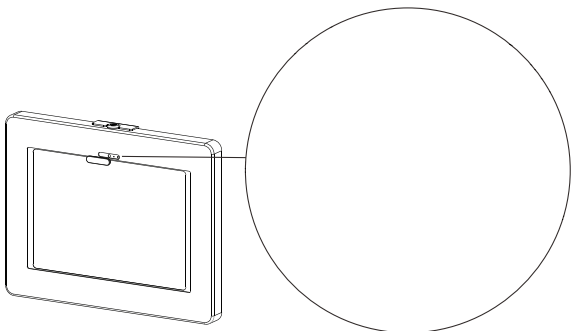


7A. Lay-in correct masking insert from bundle (B) as needed the correct fitted look for your device.



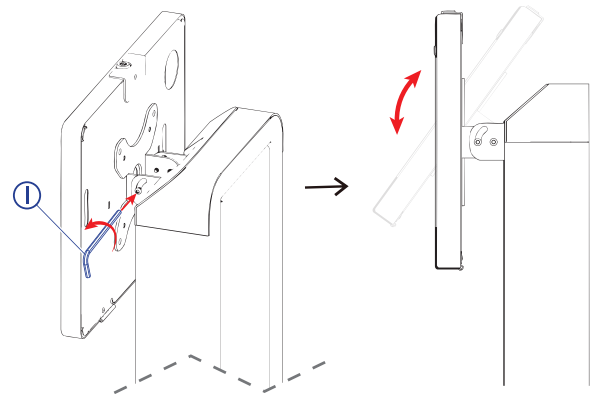
7B. Close and lock enclosure afterwards and you're

8. Removing Front Rubber Covers



8A. Please remove the rubber cover if you want to use iPad 10th with front camera exposed.

9. Tilt Adjustability



9A. Loosen the screws with provided tool then adjust the angle view of enclosure then thighten at desired location.