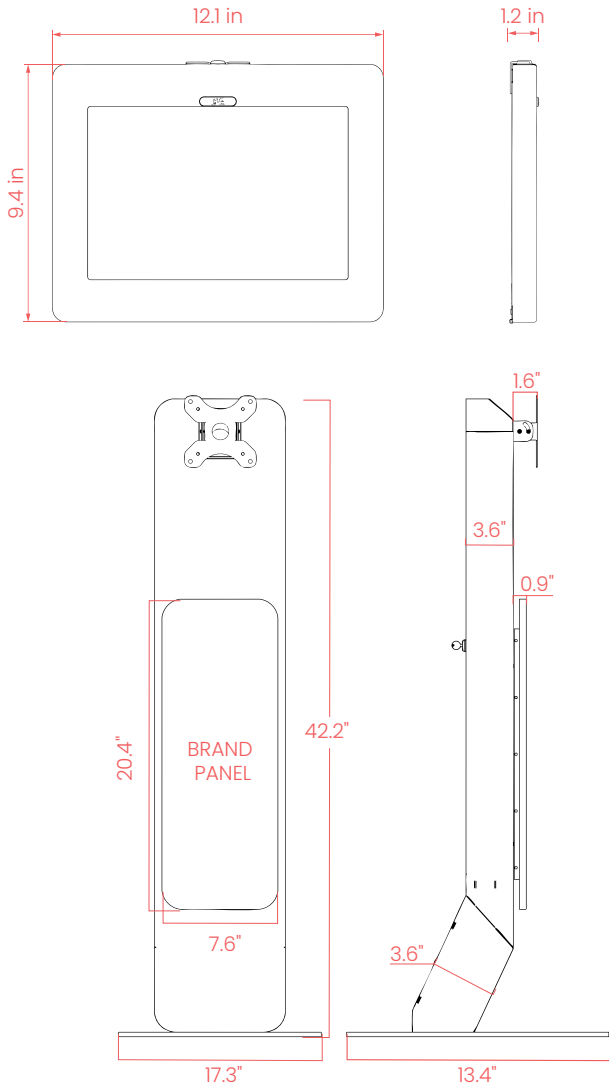


SKU:
PAD-VFSKLED

WEIGHT:
47.1 LBS

Integrated LED Floor Stand with Premium Locking Enclosure (White) for Medium Tablets

PRODUCT DATA SHEET



FEATURES:

- Striking LED accent lighting for maximum visual impact
- Customizable branding panel – contact CTA Digital for add-on options
- Compatible with VESA 75 x 75 and 100 x 100 mounting standards
- Lockable back and base access panels for security and convenience
- Built-in cable management for a clean, professional look
- Integrated storage rack to secure a power strip or components with cable ties
- Supports portrait or landscape device orientation
- White powder-coated steel construction for lasting durability

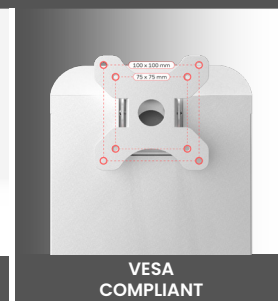
COMPATIBILITY:

- iPad 10.2" (7th, 8th, 9th, 10th Gen)
- iPad Air 10.9" (2020)
- iPad Air 3 (2019)
- iPad Pro 10.5"
- Galaxy Tab S8
- Galaxy Tab S7
- Galaxy Tab A 10.1" (2019)
- Galaxy Tab A8
- Lenovo Tab 4
- Surface Go 2, 3
- Galaxy Tab S5E
- Galaxy Tab S6
- Galaxy Tab A7
- Other 9.7–11" Tablet screens



Lightness Control
All colors, brightness and color temperature combinations
9 Total Colors

COLOR OPTIONS



VESA COMPLIANT



BRAND PANEL