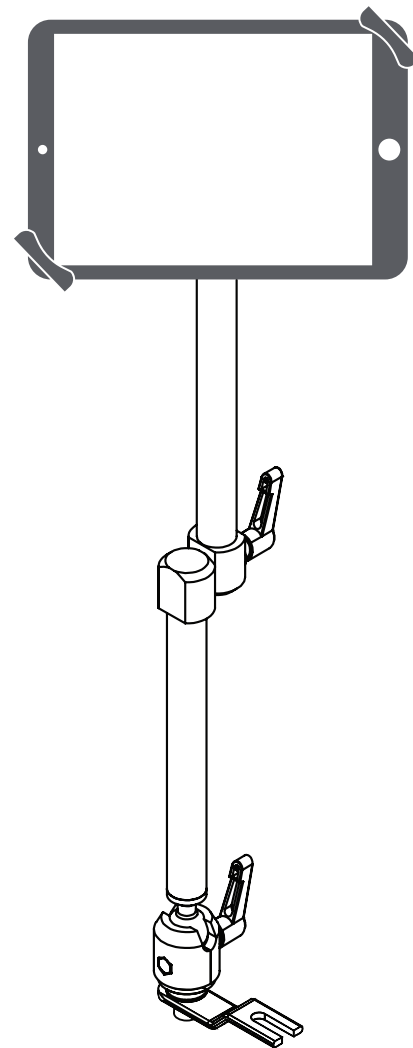




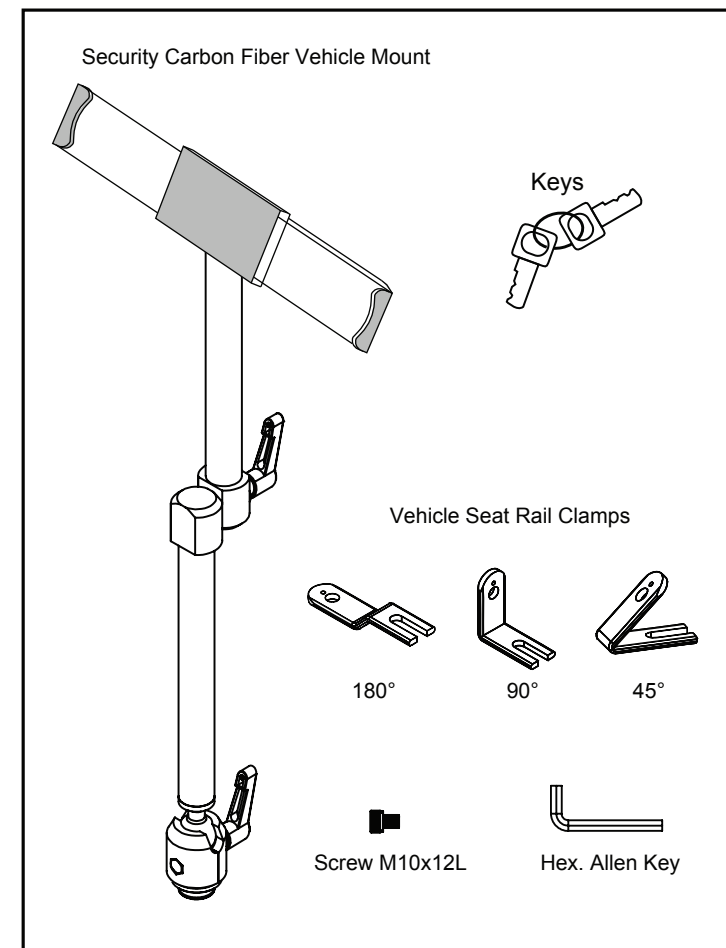
AUT-CFVMS

Security Carbon Fiber Vehicle Mount for 7-14 Inch Tablets INSTRUCTION MANUAL

Thank you for choosing CTA Digital's product. We hope that you will enjoy using it. Please follow the guidelines and instructions as laid out in this instruction manual.



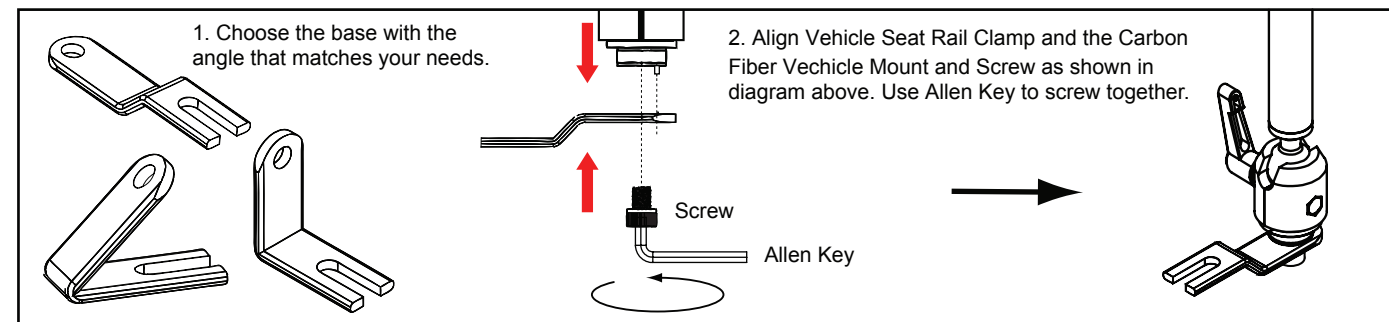
Package Contents:



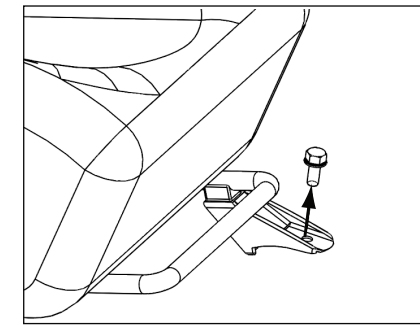
Instructions:

1. Installing Vehicle Seat Rail Clamp to the Carbon Fiber Vehicle Mount

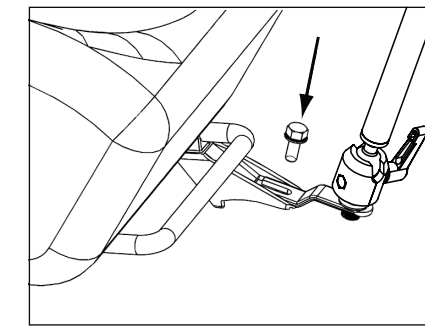
Because each vehicle is different, you will need to determine which included seat rail clamp is best for you.



2. Installing Carbon Fiber Vehicle Mount to your Vehicle Seat Rail

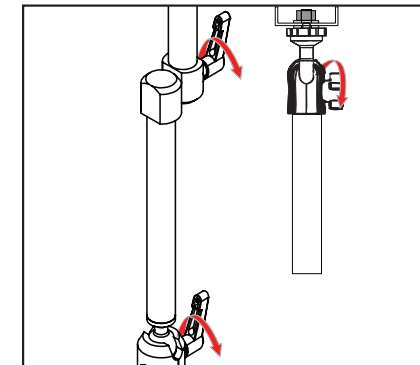


1. Loose the bolt of the seat rail.

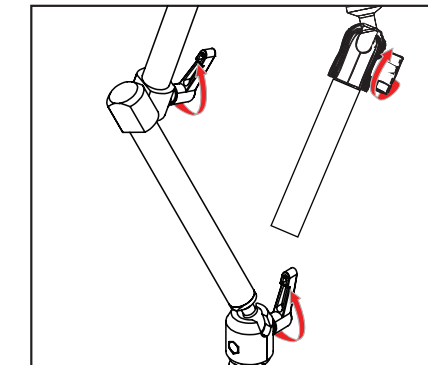


2. Install the assembled Vehicle Seat Rail Clamp and Base set on the seat rail and screw back the bolt.

3. Adjusting the Flex Arm

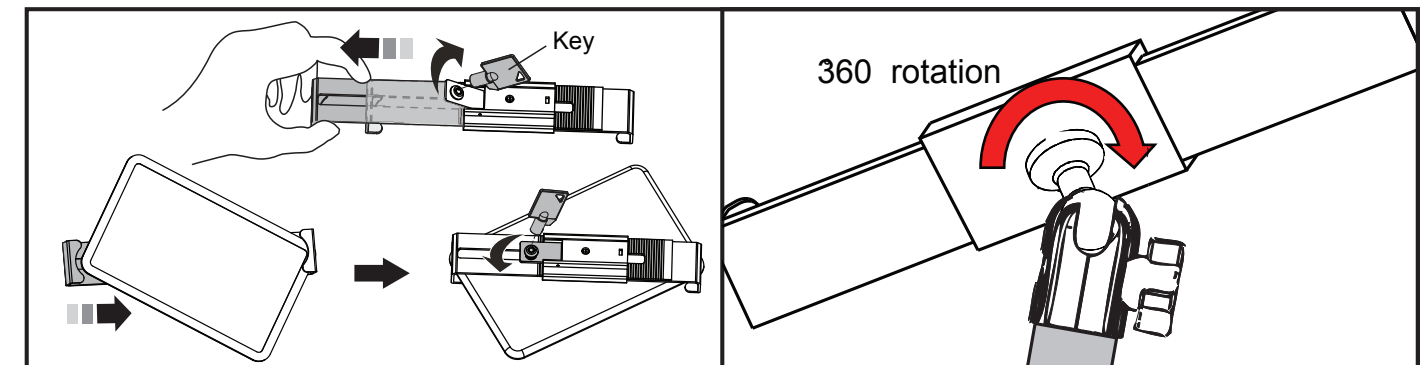


1. Twist the SCREW KNOB(both or Either) anticlockwise to release the connection.



2. Adjust the arm to your favorite position and then tighten the SCREW KNOB clockwise .

4. Installing your Device and Adjusting the Tablet holder



1. Insert key into lock at back of holder. Turn counterclockwise to unlock, then slide to open. Insert tablet against fixed end, then slide down to hold tight. Turn key clockwise to lock.

2. It also allows you to rotate the tablet holder to adjust the view angle according to your needs.



Caution

Please be sure to fasten all the screws were tightened securely while using the stand.
Not for use while driving.
Max loading :1KG

SUPPORT@CTADIGITAL.COM