

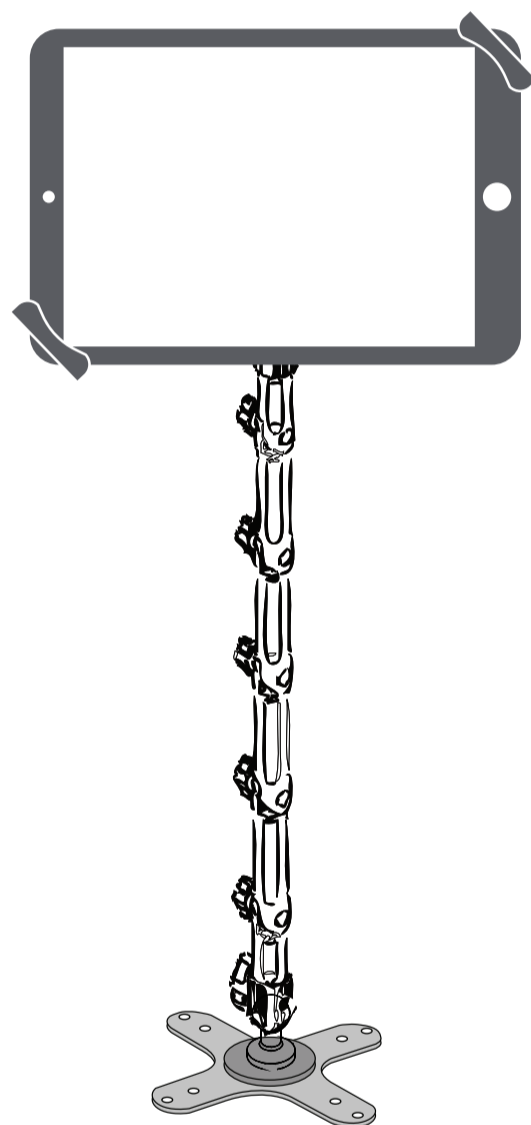


PAD-CFWMS

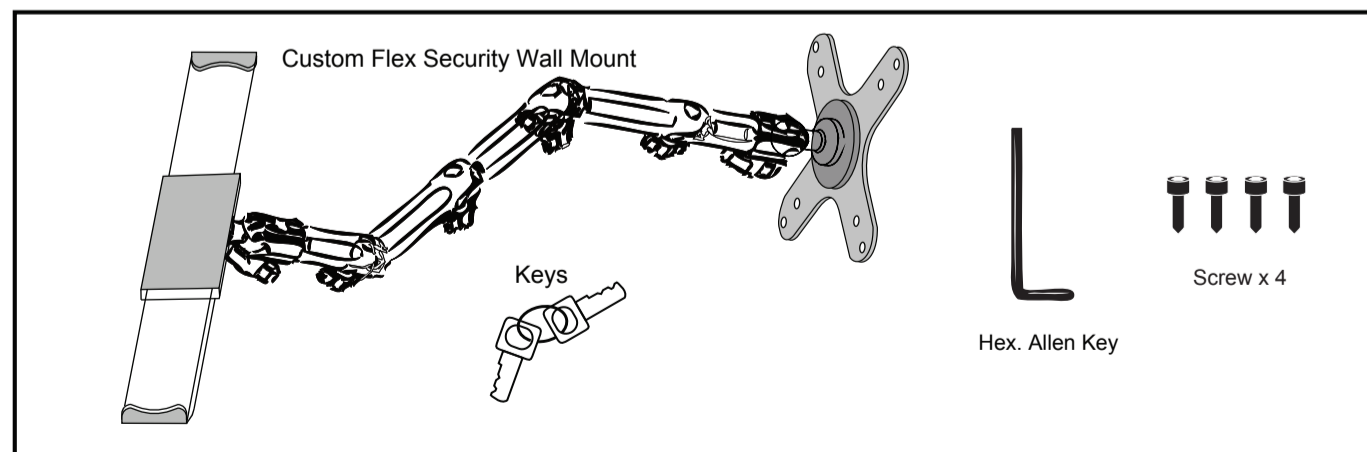
CTA DIGITAL

Custom Flex Security Wall Mount for 7-14 Inch Tablets INSTRUCTION MANUAL

Thank you for choosing CTA Digital's product. We hope that you will enjoy using it. Please follow the guidelines and instructions as laid out in this instruction manual.



Package Contents:



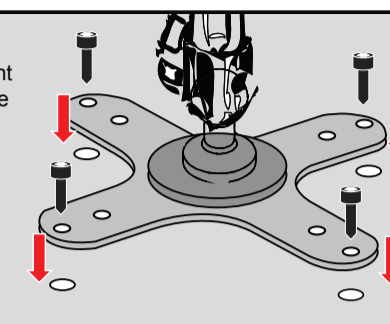
Instructions:

1. Installing Custom Flex Security Wall Mount to the Wall

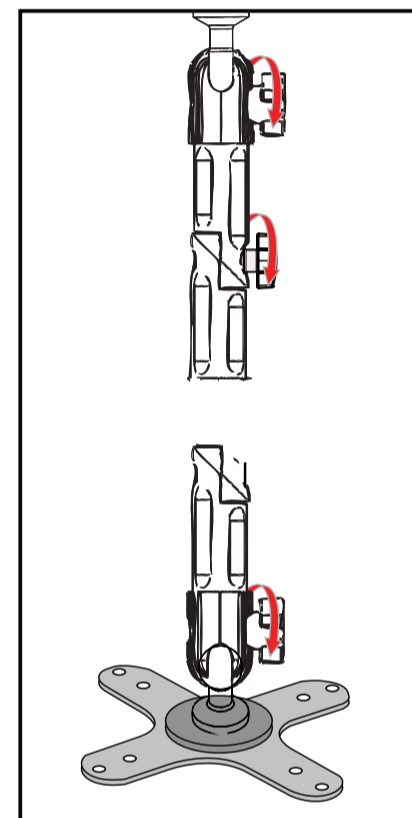
1. Make holes on the wall according to the holes you selected on the wall mount piece.

Hole Diameter: ?? mm

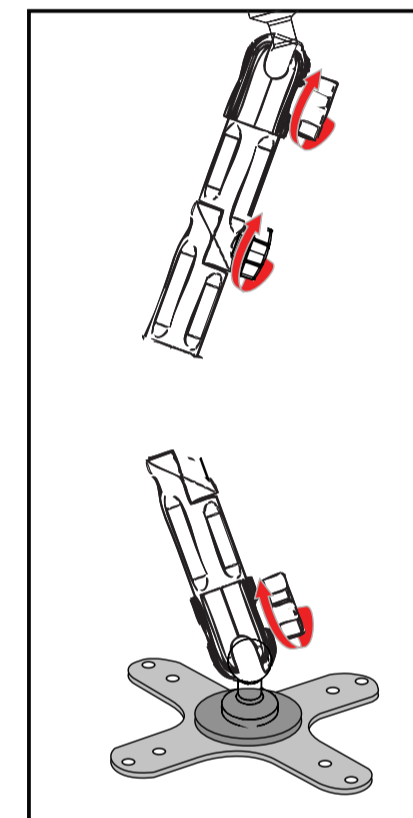
2. Screw up the wall mount piece to the holes with the screws and Allen Key.



2. Adjusting the Flex Arm

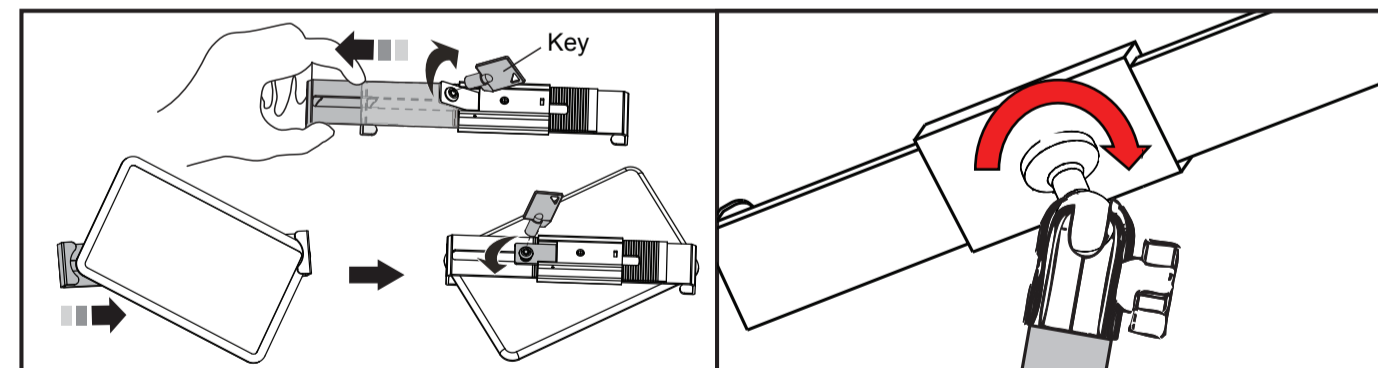


1. Twist the SCREW KNOB of the arms anticlockwise to release the connection.



2. Adjust the arms to your favorite position and then tighten the SCREW KNOB clockwise.

3. Installing your Device and Adjusting the Tablet holder



1. Insert key into lock at back of holder. Turn counterclockwise to unlock, then slide to open. Insert tablet against fixed end, then slide down to hold tight. Turn key clockwise to lock.

2. It also allows you to rotate the tablet holder to adjust the view angle according to your needs.



Caution

Please be sure to fasten all the screws were tightened securely while using the stand.
Not for use while driving.
Max loading :1.5KGS(When Moving) 3.0KGS(When Immobility)

SUPPORT@CTADIGITAL.COM