



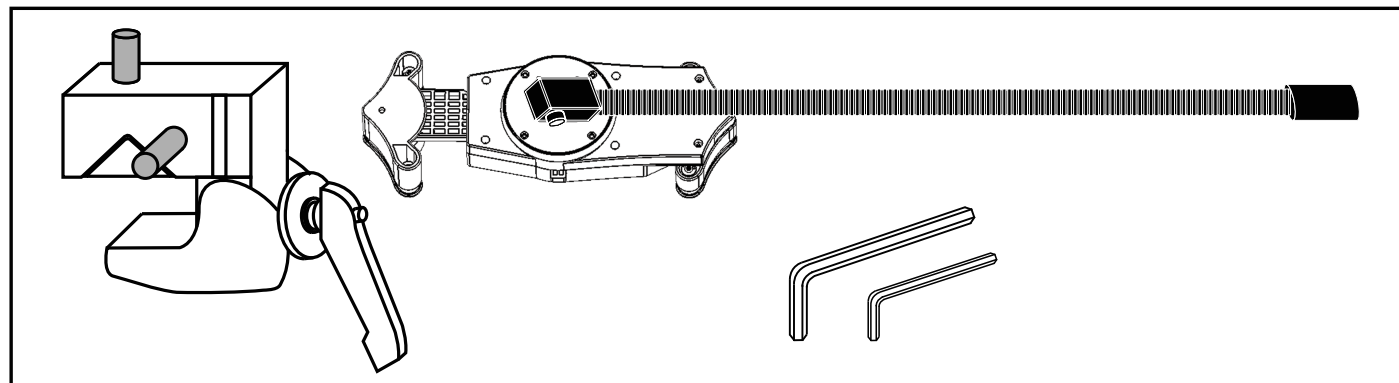
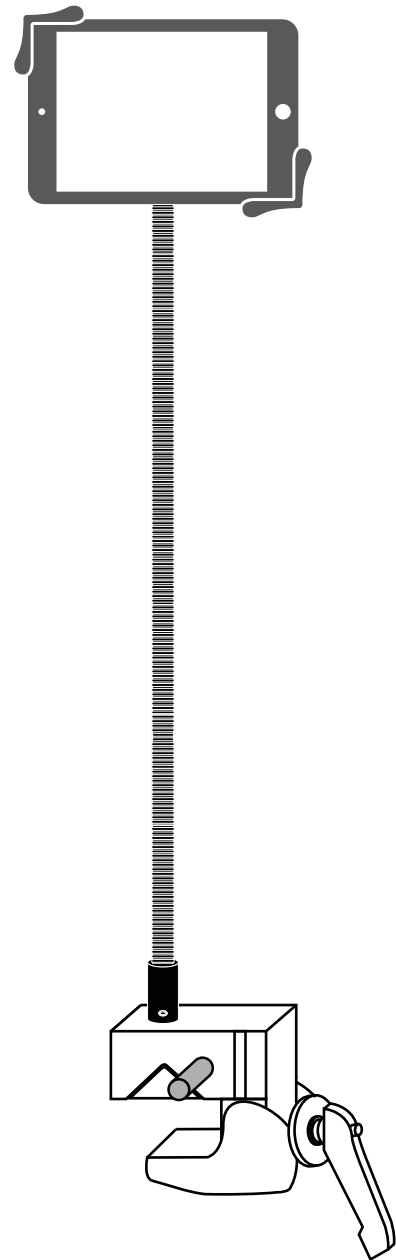
CTA DIGITAL

PAD-HGT

Heavy-Duty Gooseneck Clamp Stand for 7-13 Inch Tablets

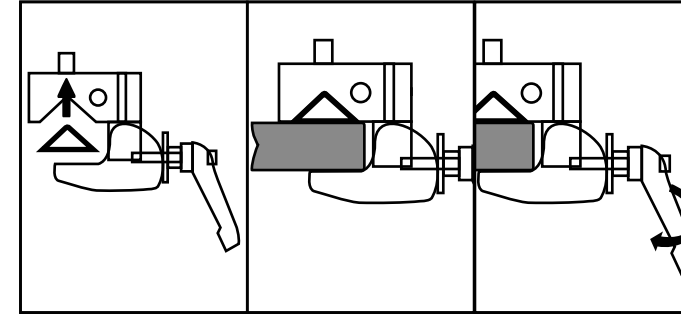
INSTRUCTION MANUAL

Thank you for choosing CTA Digital's product. We hope that you will enjoy using it. Please follow the guidelines and instructions as laid out in this instruction manual.



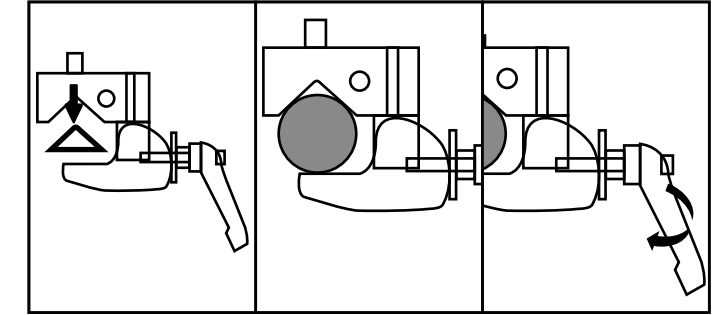
Instructions:

1. Installing the Clamp



On a Flat Surface:

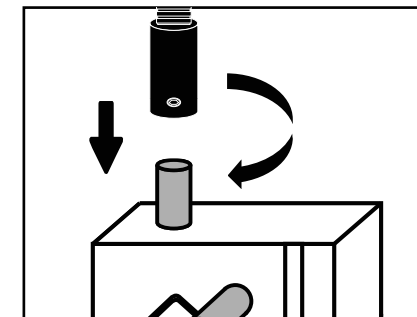
1. Place rubber grip flat insert into the clamp groove. Rotate tightening handle counter-clockwise to widen around surface ledge. Rotate clockwise to tighten until secure.



On a Tube:

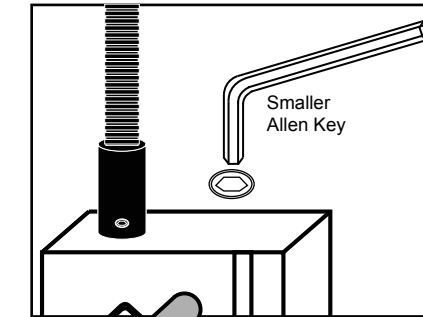
2. Remove rubber grip flat insert from clamp groove. Rotate tightening handle counter-clockwise to widen around surface ledge. Rotate clockwise to tighten until secure.

2. Connecting the Tablet Gooseneck Holder

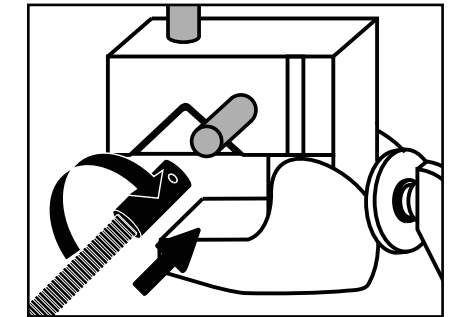


1. Screw gooseneck onto the male metal connection bolt on top of the clamp.

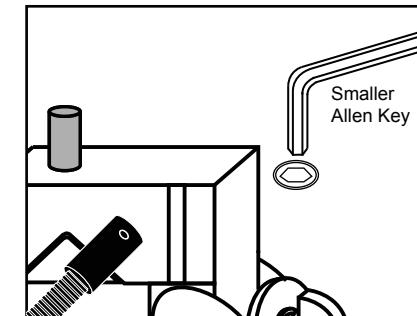
Note: if meter screws are already in, unscrew before attaching gooseneck.



2. Use the smaller Allen key to screw up two meter screws inside the gooseneck, tightening the connection.

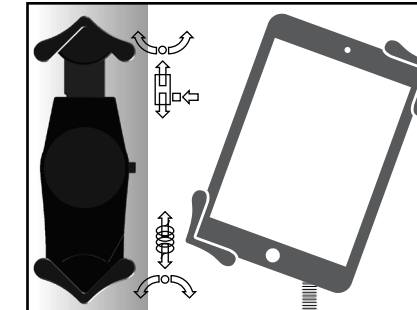


3. To use clamp aligned vertically, screw gooseneck onto the male metal connection bolt on the side of the clamp.

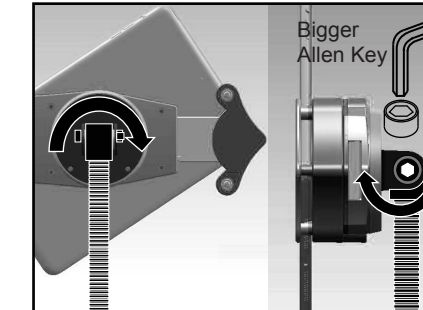


4. Use the smaller Allen key to screw the two meter screws inside the gooseneck, tightening the connection.

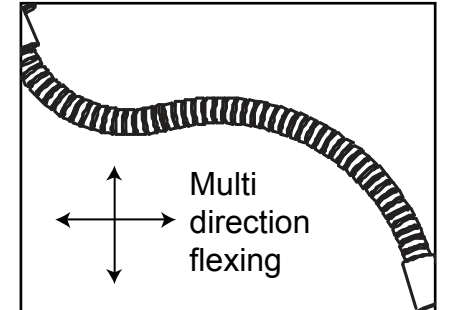
3. Installing Your Device and Adjusting the Gooseneck and Tablet Holder:



1. Press the button on the side of the holder center to slide out holder arm. Insert your tablet against the spring end, then slide the other arm back in, closing firmly.



2. Use the bigger Allen key to tighten and loosen the gooseneck to holder connection, adjusting ease of rotation.



3. Flex the gooseneck to multi direction and adjust it freely according to your needs.