



Heavy Duty Security Station for Laptop-Tablet Hybrids

INSTRUCTION MANUAL

Please follow the guidelines and instructions as laid out in this instruction manual.

PAD-SSLT

1. Overview

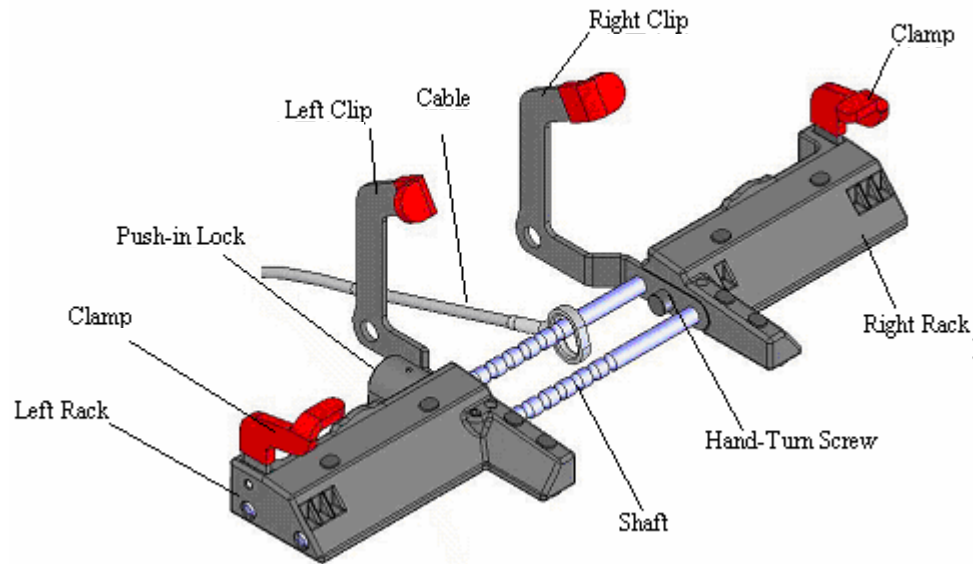


Figure 1

Immovable object

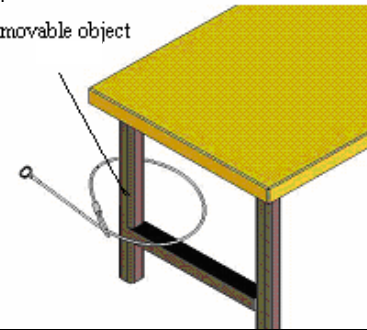


Figure 2

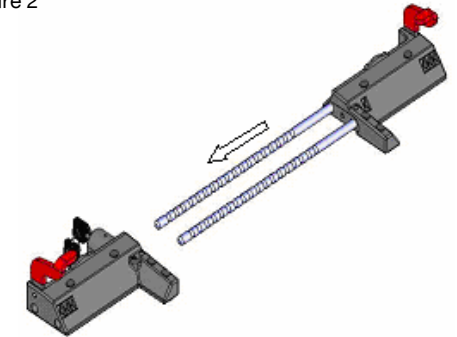


Figure 3

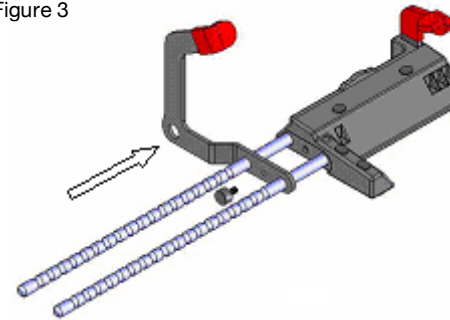
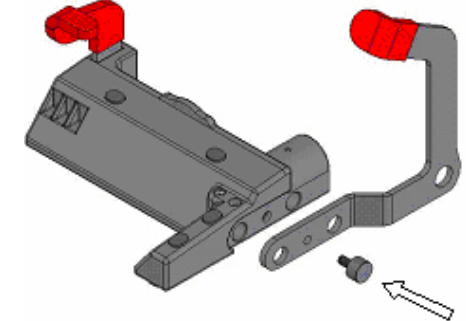


Figure 4



2. Package contents:

- (1) Left Rack
- (1) Left Clip
- (2) Hand-Turn Screws
- (1) Security Cable
- (1) Right Rack
- (1) Right Clip
- (1) Push-in Lock
- (2) Keys
- (1) Set of Optional Mounting Screws

3. Operation Instructions:

A. Locking:

1. Loop the cable around an immovable object. (Figure 1)
2. Separate the left and right racks. (Figure 2)
3. Connect the right clip with the right rack and affix with Hand-Turn Screw. (Figure 3)
4. Connect the left clip with left rack and affix with Hand-Turn Screw. (Figure 4)
5. Attach cable loop to shaft. (Figure 5)
6. Connect racks together and place laptop inside. (Figure 6)
7. Push left rack in until the clamp clips around the laptop. (Figure 7)
8. Press lock in to lock. (Figure 8)

B: Unlocking

1. Insert key to unlock. (Figure 9)
2. Pull left rack out and remove laptop. (Figure 10)

4. Optional Mounting Kit

Install with this mounting bracket if you do not wish to use the security cable.

1. Use screws to attach bracket to desk or table top. (Figure 11)
2. Slide shaft through arcs of the bracket. (Figure 12 and 13)
3. See previous section for setup instructions.

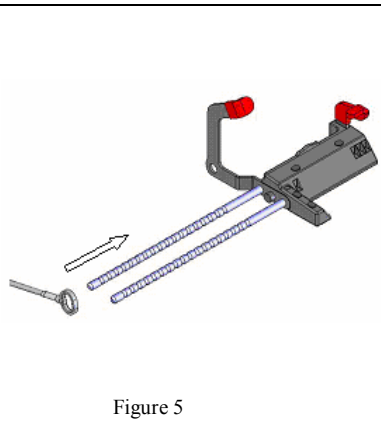


Figure 5

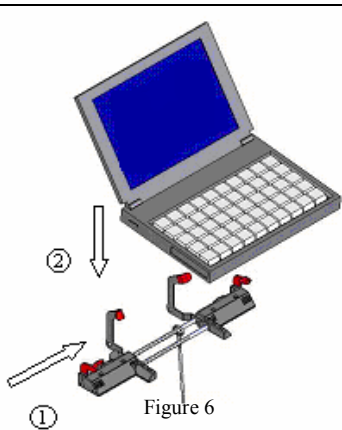


Figure 6

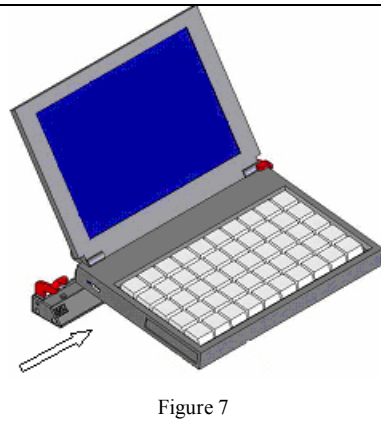


Figure 7

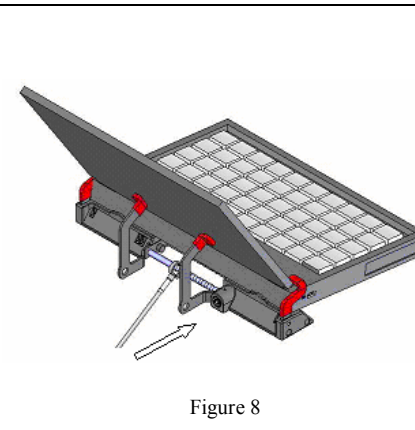


Figure 8

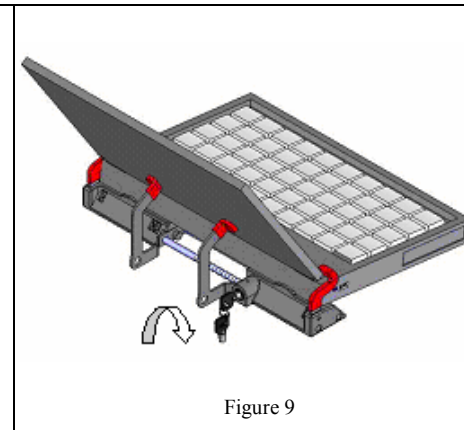


Figure 9

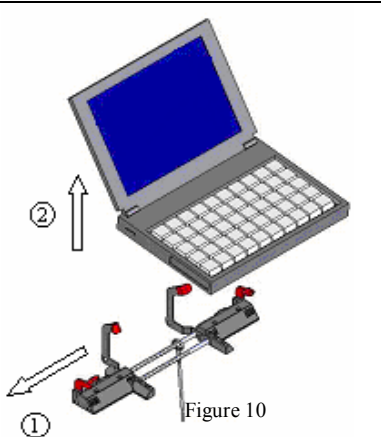
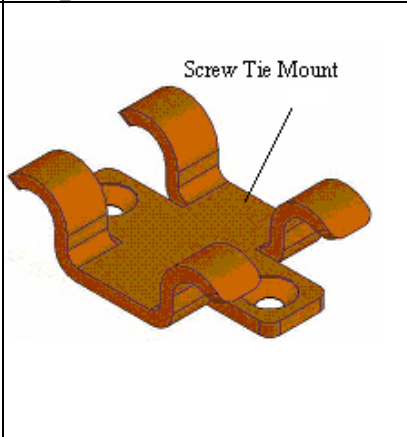


Figure 10



Screw Tie Mount

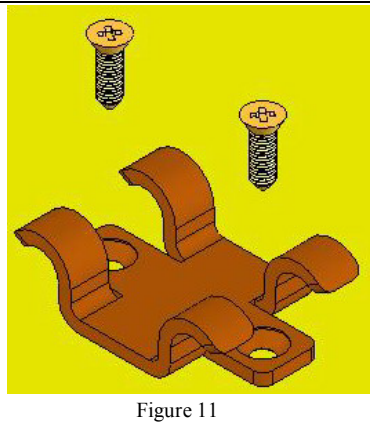


Figure 11

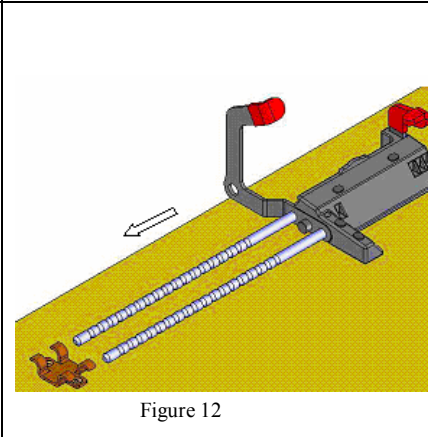


Figure 12

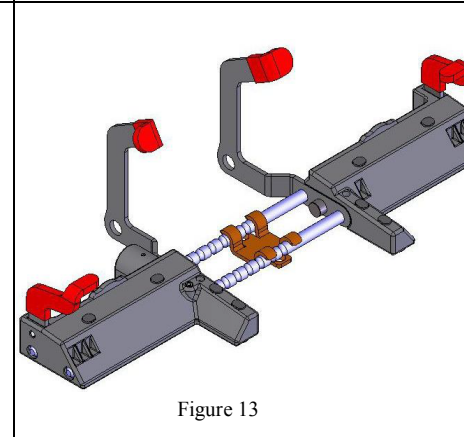


Figure 13



Figure 14



Figure 15



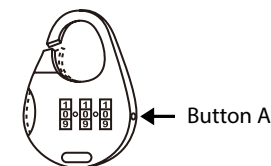
Figure 16

SUCTION CUP LOCK FOR LAPTOP/TABLET HYBRIDS

1. After Step 5 in the Operation Instructions, slip the suction lock ring over the back rod (Figure 14).
2. Insert tablet and slide other bracket end over metal rods. Pull back the curved tab on the suction lock and press firmly against back of laptop screen (Figure 15).
3. Push curved tab in, then attach combination lock in lock hole, then continue to Step 6 in Operation Instructions (Figure 16).

LOCK SETUP

1. The preset combination is 0-0-0.
2. To reset your combination press and hold Button A
3. While holding Button A set your NEW combination.
4. Release Button A and your password is set!
5. Write your password down and keep it somewhere safe.



OPTIONAL ADHESIVE PLATE

An optional adhesive plate has been included for use if the surface of your device is not smooth enough to provide a secure suction.

To use Adhesive Plate:

1. Remove the 3M VHB tape
2. Place in desired position
3. Wait 30 minutes before use.

