



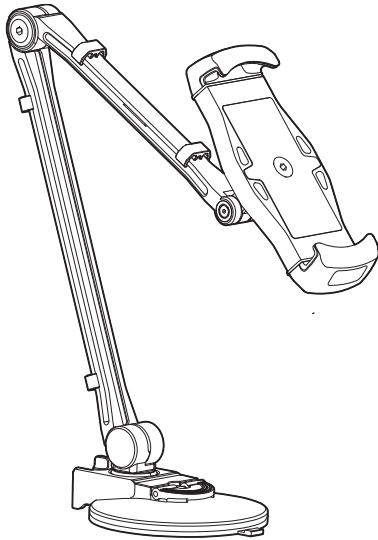
CTA DIGITAL

# Ultra-Light Arm Mount with Clamp and Suction Bases for Tablets and Smartphones

**PAD-UAM**

## INSTRUCTION MANUAL

Thank you for choosing CTA Digital's product. We hope that you will enjoy using it. Please follow the guidelines and instructions as laid out in this instruction manual.



### Specifications

- Product weight: 1.10 lbs
- Device holder adjustment: 4.7" to 8.2"
- Loading weight capacity:  $\leq$  2.20 lbs
- C-clamp adjustment: 0.27" to 1.49"
- Full height (from base to center of holder): 18"

### Package Contents

- 2-In-1 Tablet holder Wall Stand - Black/White
- C-clamp
- Suction cup
- Wire clip (x4)
- 3-in-1 allen key
- Installation Guide

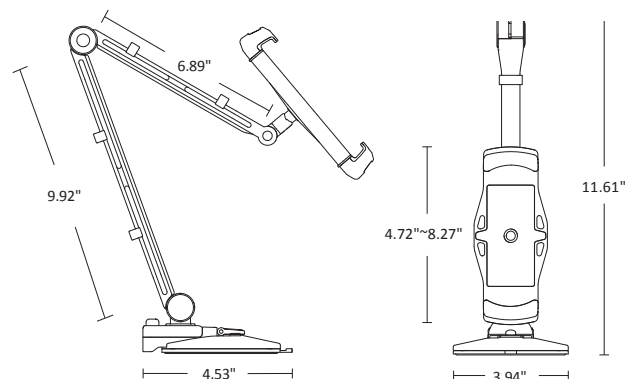
### Safety information:

- Do not wash with hot water
- Do not place the suction grip on a rough or uneven surface
- Do not place the suction grip on a surface prone to vibration or movement
- Keep out of reach of children

### Key Features & Benefits

- Full motion articulating tablet/smartphone desktop mount frees you from holding the device to maximize your comfort while reading articles or watching videos
- Retractable holding bracket expands up to 8.2" with side openings allows easy device installing/removing and cable connection
- Fits most 7" to 12" tablets, including iPad, iPad Mini, iPad Air and Samsung Tab series
- Supports multi-direction 360° rotate, swivel, and tilt for the best ergonomic viewing position
- Articulating aluminum arm allows up to 13" height adjustment
- Includes both c-clamp and heavy-duty suction cup for easy and secure installation onto most surfaces without drilling. Convenient C-clamp knob accessible from the top for easy setup
- Protective pads fully integrated into device holder and clamp protects device from scratching, falling or slipping

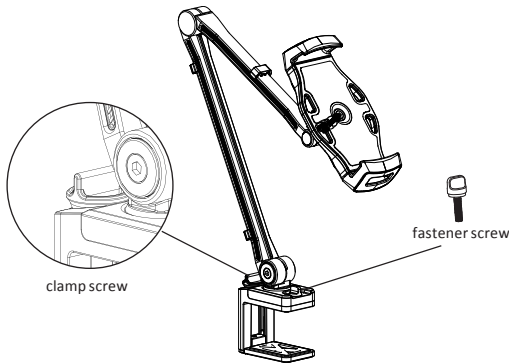
### Product Layout



# Installation Instructions

## C-clamp Mount Setup

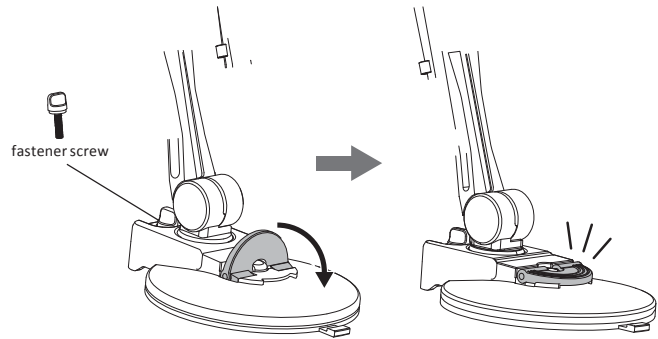
1. Turn the C-clamp screw counter-clockwise until the opening is wide enough to fit around desk or table edge.
2. Turn C-clamp screw clockwise to tighten and affix C-clamp to desk or table edge.
3. Slide the arm mount into the top of the C-clamp and align the holes.
4. Insert the arm mount fastener screw and turn clockwise to tighten.



## Suction Mount Setup

1. With the semi-circle suction lock in vertical position, place the suction grip firmly against surface.
2. Fold the semi-circle suction lock into horizontal position to lock the suction grip in place.
3. Slide the arm mount into place on the top of the suction grip and align the holes.
4. Insert the arm mount fastener screw and turn clockwise to tighten.

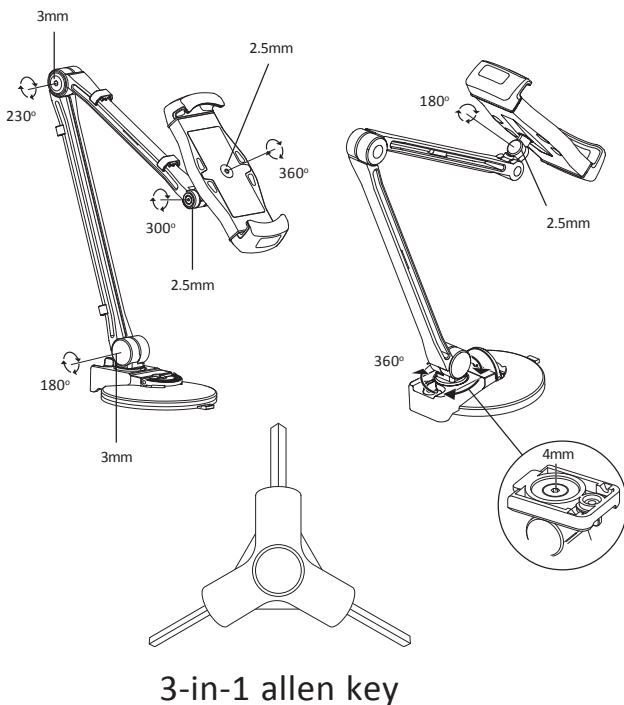
The suction grip will accumulate dirt and dust with regular use and should be cleaned with cold water every 2 months. This will ensure that the suction grip maintains full strength.



# Adjustment & Cable Management

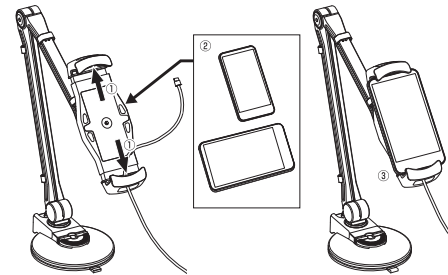
## Adjusting the Arm Mount:

Adjust to the desired position using the included 3-in-1 allen key.



## Device Holder:

Adjust the width to fit your tablet or smartphone.



## Cable Management System:

Arrange the cables into the cable covers and down the tube using the included wire clips.

