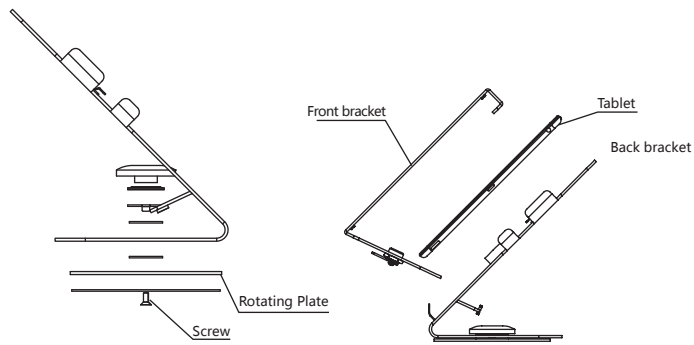


Dual Security Compact Kiosk PAD-DSCKM

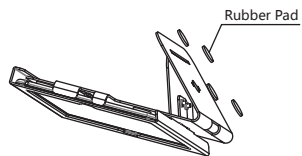


support@ctadigital.com

. 1 .

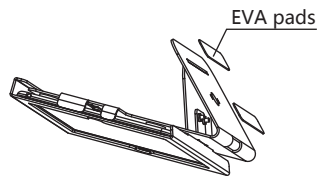
Option 1

Attach the 4 rubber pads to the bottom of kiosk as shown below. With this setup, the stand can be moved freely, but not rotated.



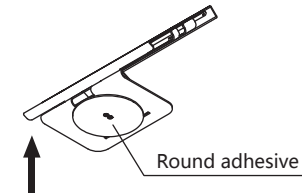
Option 2

Attach the double sided EVA adhesive to the bottom of kiosk and stick onto clean counter top. With this setup, the stand is attached to the counter and cannot rotate.



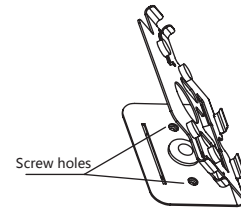
Option 3

Attach the round double sided adhesive to the kiosk's rotating plate and stick onto counter top. With this setup, the stand is attached to the counter and can rotate 360 degrees.



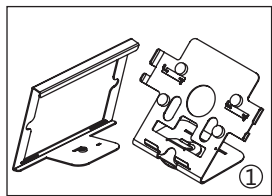
Option 4

Screw the rotating plate onto counter top using screwdriver and included hardware. With this setup, the stand is attached to the counter and can rotate 360 degrees.

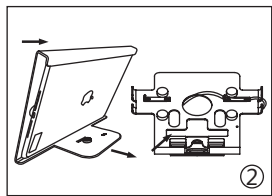


. 2 .

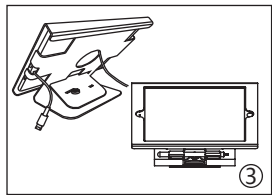
Installing your tablet



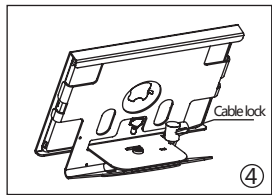
- Open the tablet kiosk as shown.



- Install the tablet into the front bracket from the side. Align slot on the front bracket with male end of back bracket.
- Arrange charging cable as desired on cable routing hooks.

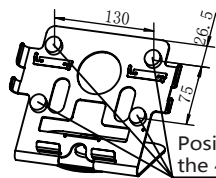


- Place front bracket onto rear bracket and lock in place with key.

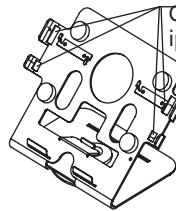


- Attach security cable at slot to the right of the key lock.

. 3 .



Position for the 4 round pads



Position for the 4 square foam pads.
Only apply when installing iPad mini 1,2,3

- When installing iPad Mini 1,2, and 3, apply the thinner round pads (7mm thickness), and apply the 4 square foam pads on the curve position of the base bracket as above figure shows. Apply the thicker round pads (10mm thickness) when installing iPad mini 4

. 4 .

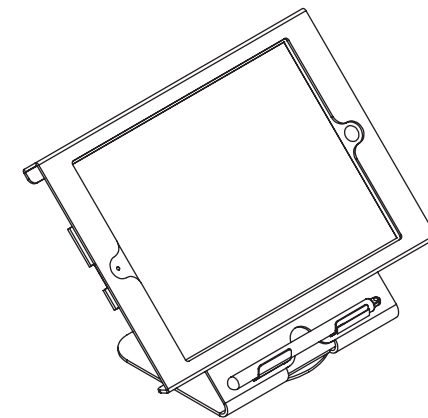
PAD-DSCKM



CTA DIGITAL

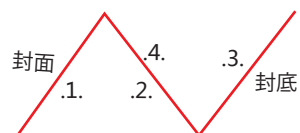
Dual Security Compact Kiosk for iPad mini INSTRUCTION MANUAL

Thank you for choosing CTA Digital's product. We hope that you will enjoy using it.
Please follow the guidelines and instructions as laid out in this instruction manual.



FRONT

排版方式：



尺寸：99*105MM 展图尺寸：396*105MM

印刷：黑色 正反面印刷 折图

材图：157G图版图

注意：图色框和尺寸图注不需要印刷出来！