



ADD-BHA

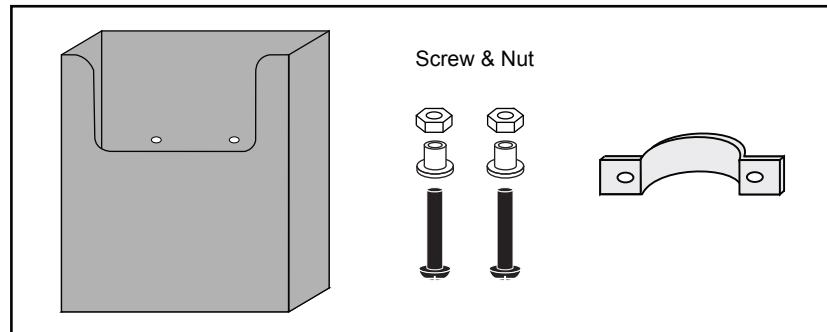
Brochure Holder Add-On for CTA Digital Floor Stands

INSTRUCTION MANUAL

Thank you for choosing CTA Digital's product. We hope that you will enjoy using it. Please follow the guidelines and instructions as laid out in this instruction manual.

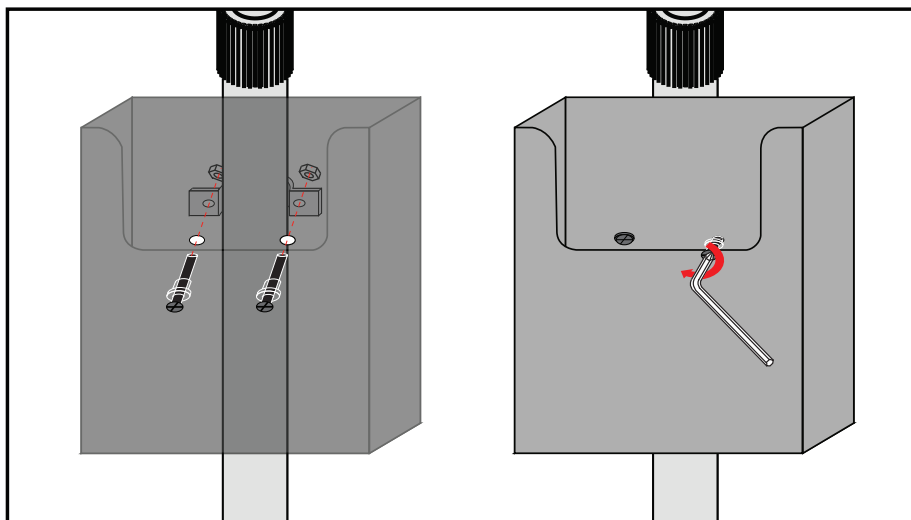
Maximum Weight Loading: 10 lbs/5.0 kgs

Package Contents:



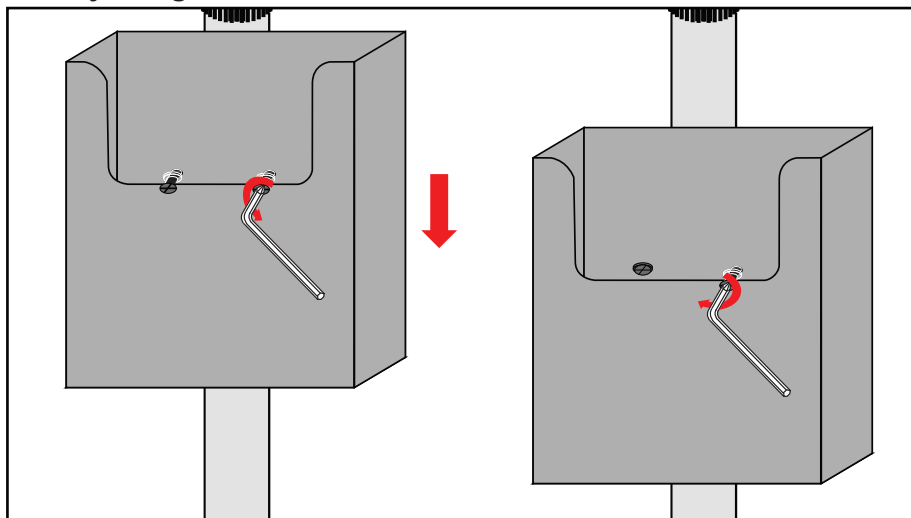
Instructions:

1. Installing the Hooks to the Floor Stand Pole



Align grip ring and brochure holder on opposite sides of pole. Pass screws thru holes on inside of brochure holder into holes on grip ring, then tighten nuts on other side. Use Allen key to secure.

2. Adjusting the Brochure Position



Use Allen key to loosen screws, slide brochure holder to desired height, then tighten again using Allen key.

