

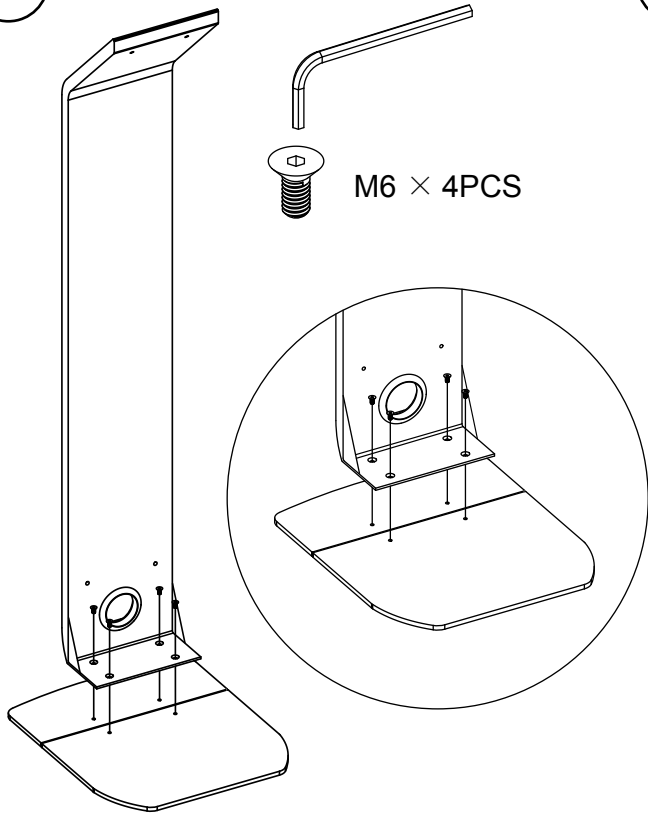


Paragon: Premium Locking Floor Stand Kiosk (White)

INSTRUCTION MANUAL

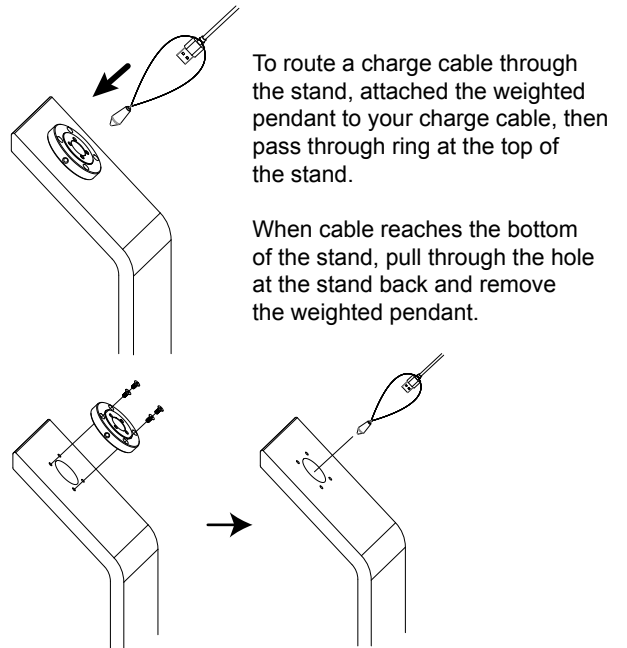
PAD-PARAFW

1



M6 × 4PCS

2

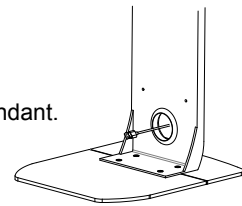


To route a charge cable through the stand, attached the weighted pendant to your charge cable, then pass through ring at the top of the stand.

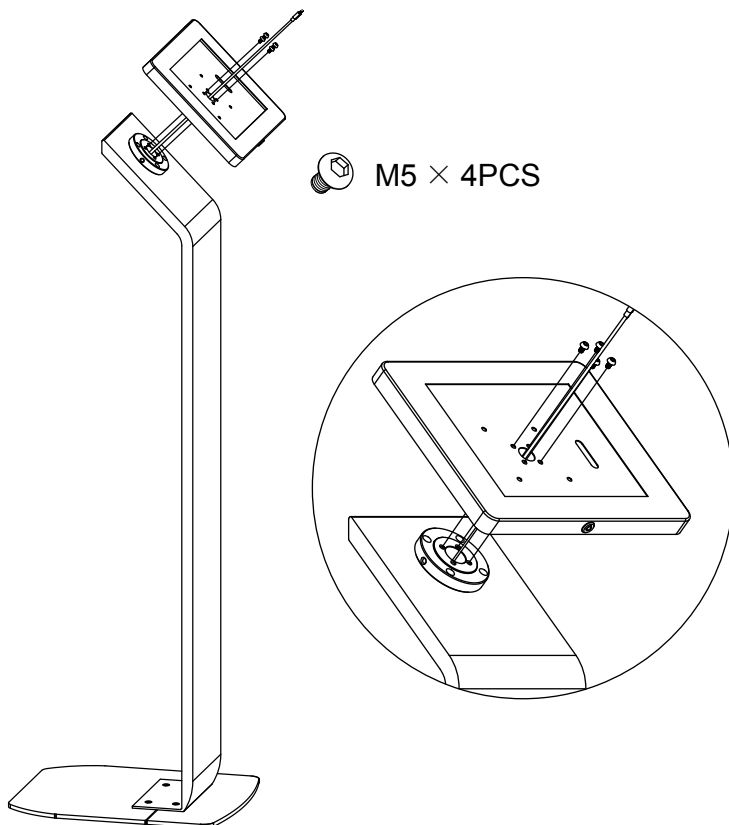
When cable reaches the bottom of the stand, pull through the hole at the stand back and remove the weighted pendant.

If your cable end is big, remove the ring first and pass the cable with weighted pendant directly through the opening.

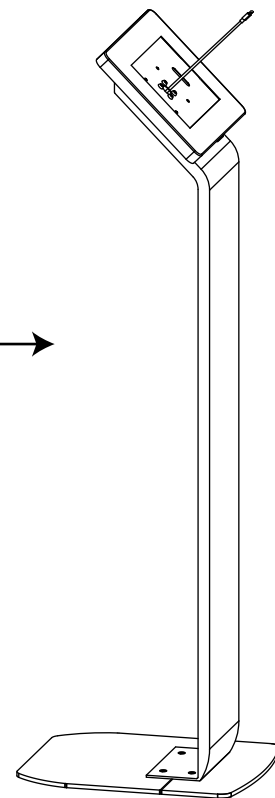
Cable out from back & remove the weighted pendant.



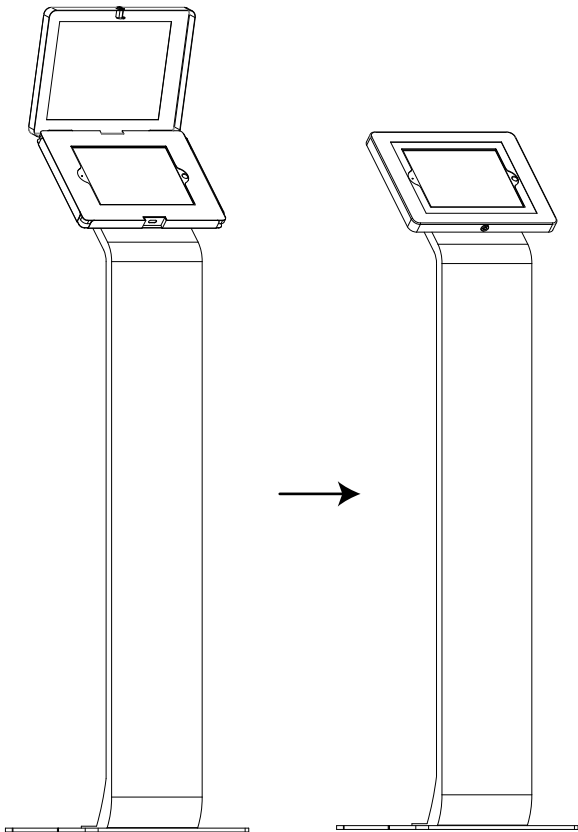
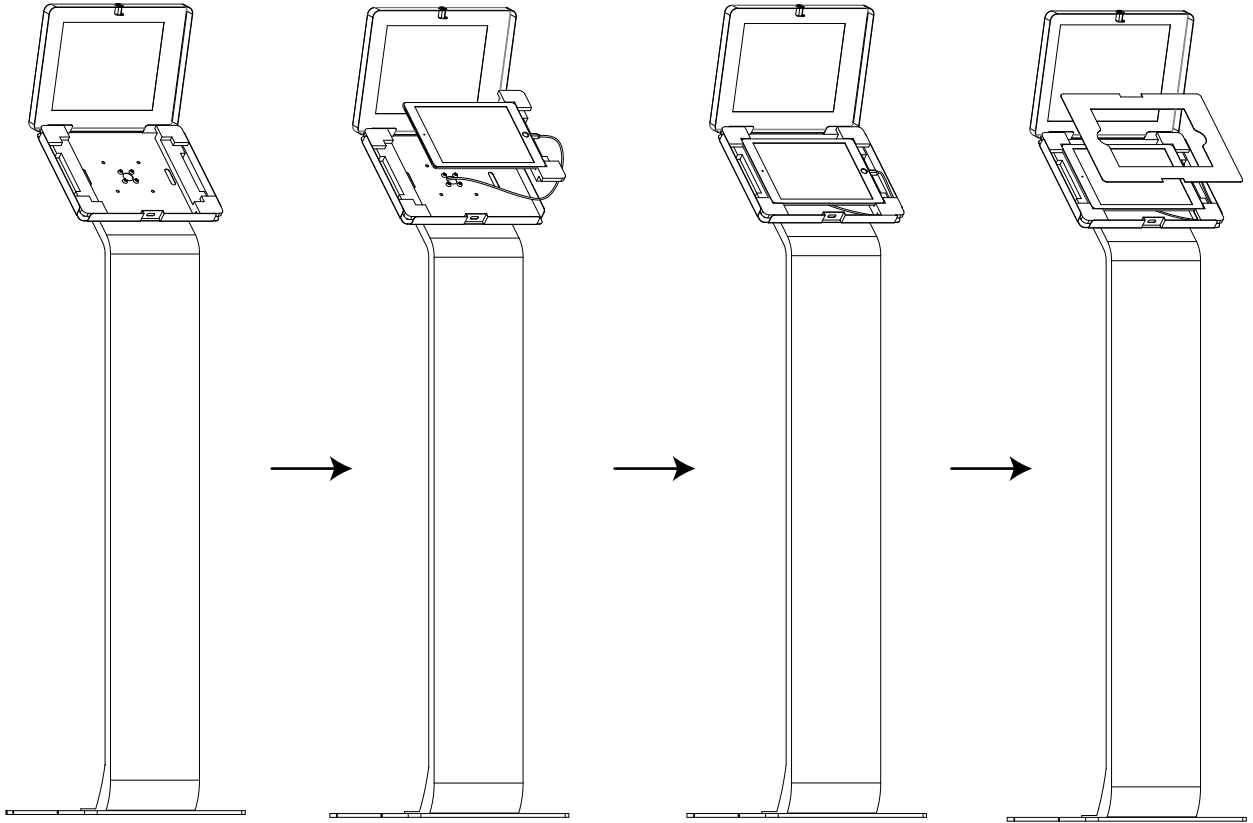
3



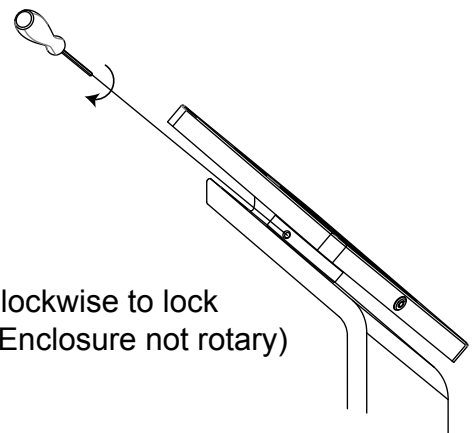
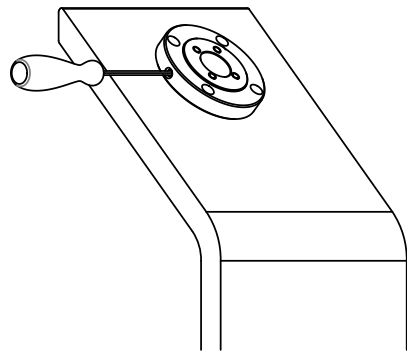
M5 × 4PCS



4



Locking point



Clockwise to lock
(Enclosure not rotary)