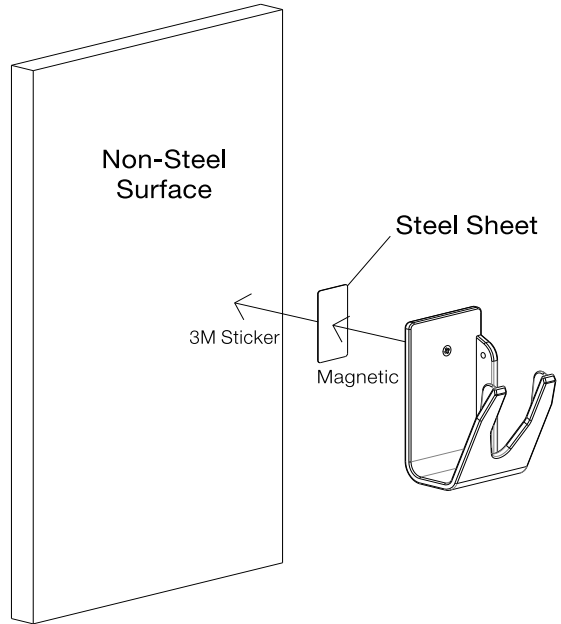
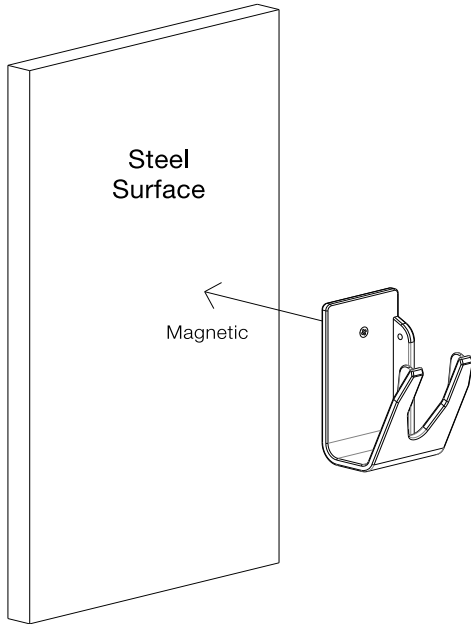




Magnet Grip Barcode Scanner Mount

INSTRUCTION MANUAL

ADD-MGBSM



First stick the steel sheet on your surface then put the bracket on the steel sheet

