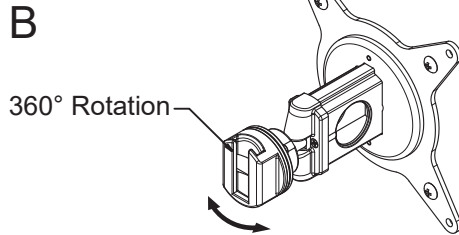
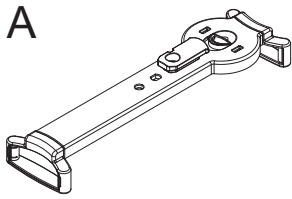


INSTALLATION INSTRUCTIONS

PAD-TSHV

Contents :



C



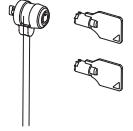
x 4 pcs

D

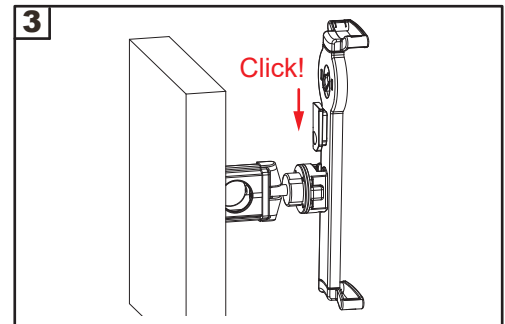
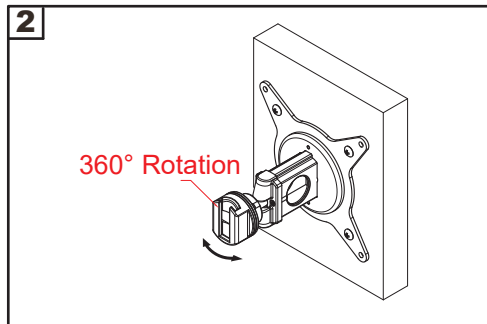
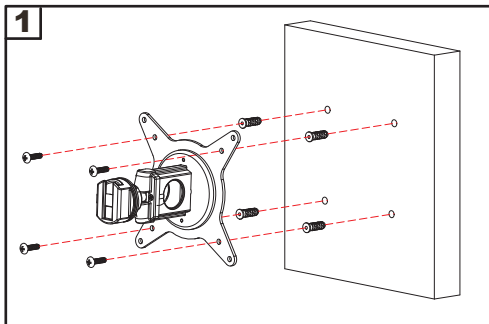


x 4 pcs

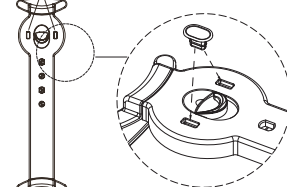
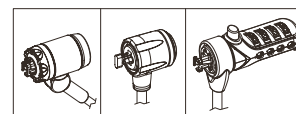
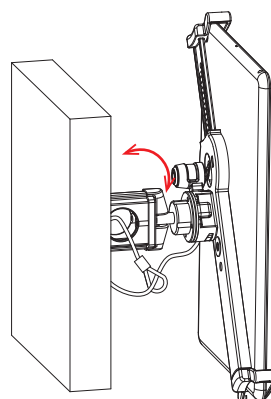
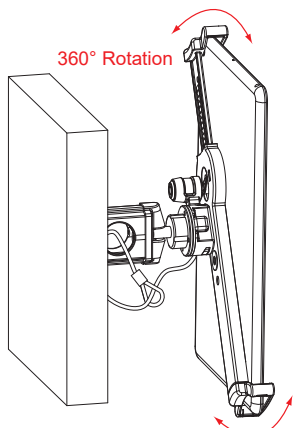
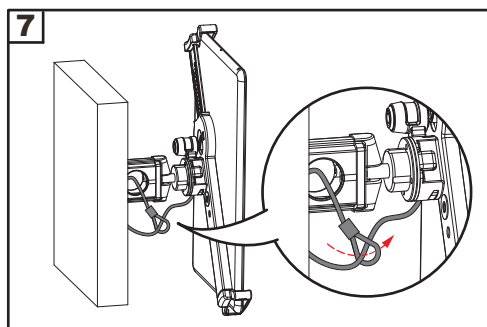
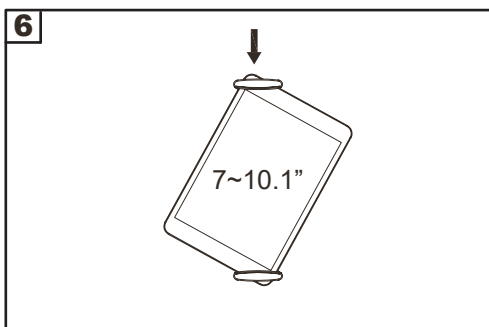
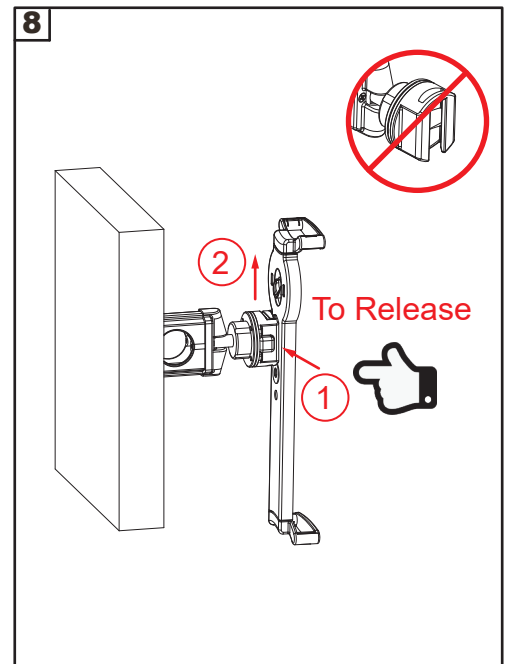
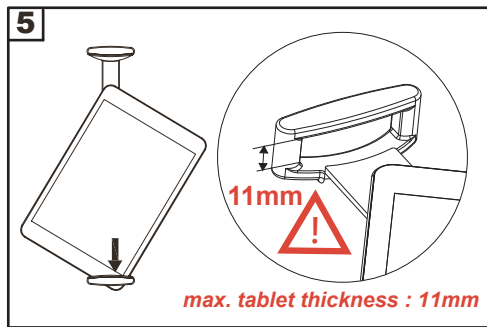
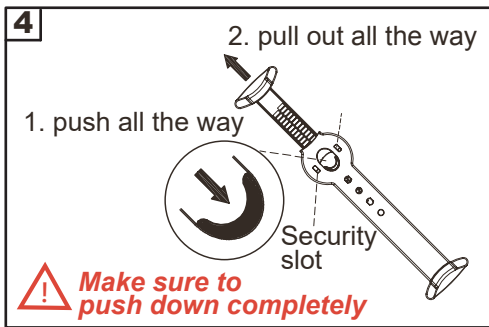
E



Installing the base on the wall:



Installing the tablet on the holder:



support@ctadigital.com