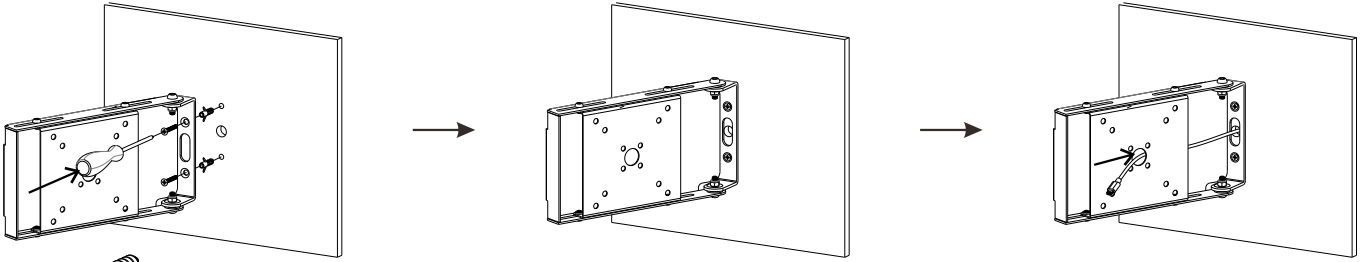




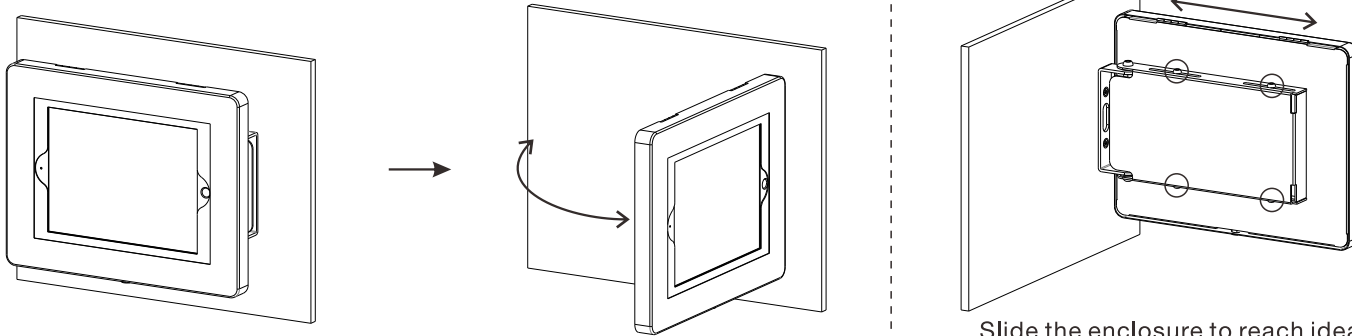
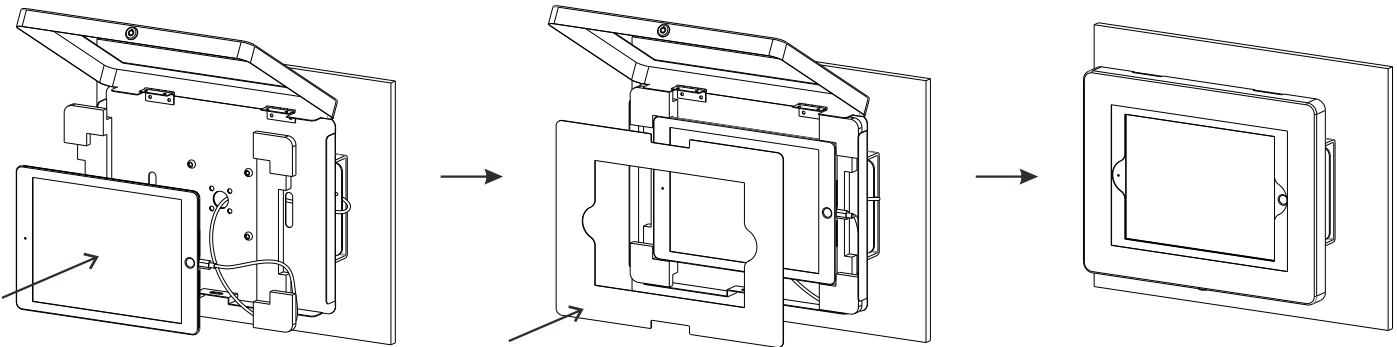
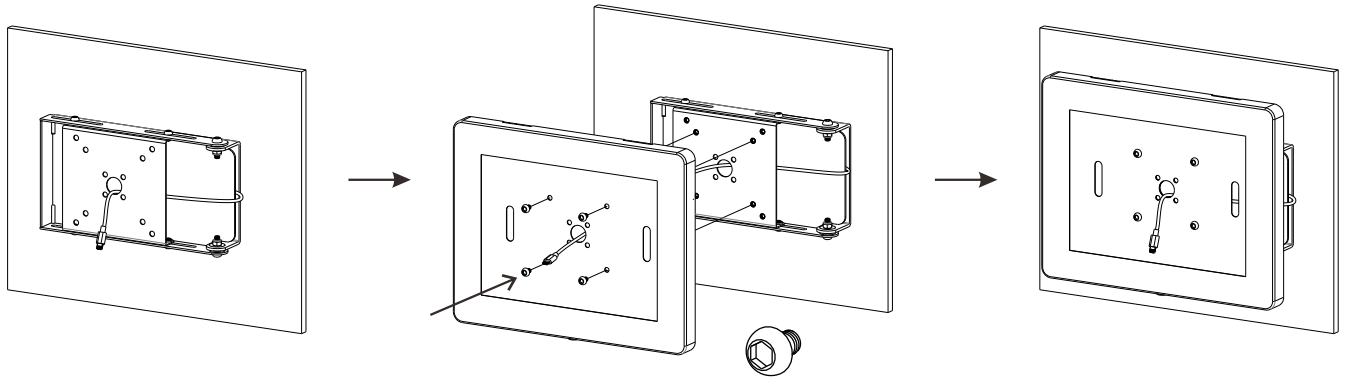
# Mullion Side Security Mount Enclosure

## INSTRUCTION MANUAL

### PAD-MULPAR



For solid concrete or block wall, please add expansion bolts.  
For stud wall only use self-tapping screws.



Slide the enclosure to reach ideal position then tighten the screws.