



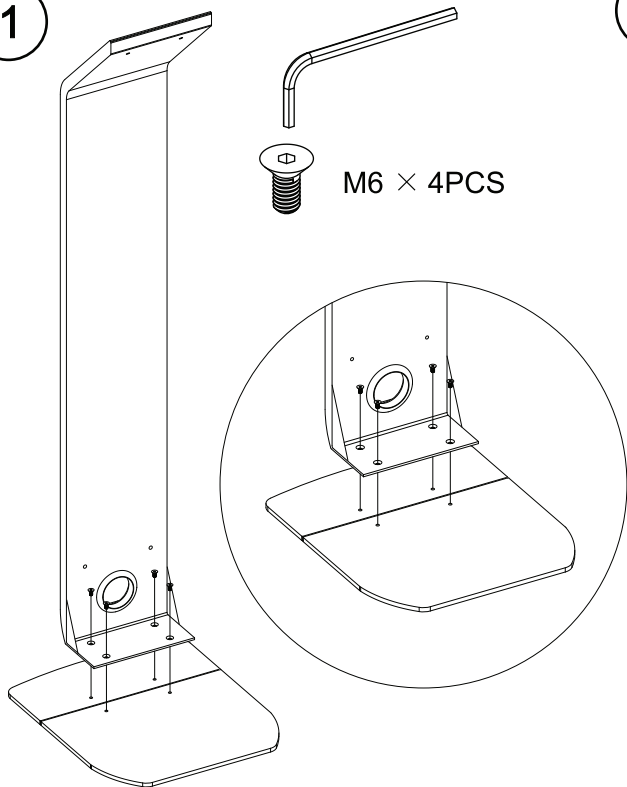
Premium Large Locking Kiosk (Black/White)

for iPad Pro 12.9" (2015/2017/2018), Surface Pro 3/4/5/6/7

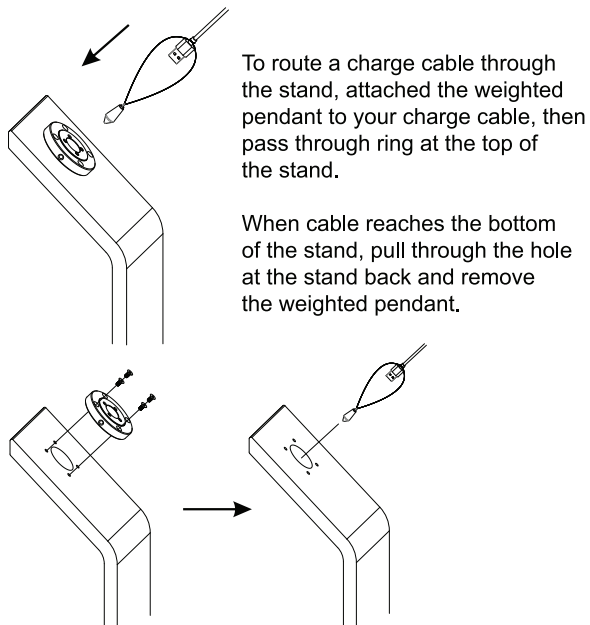
INSTRUCTION MANUAL

PAD-PLSB & PAD-PLSW

1

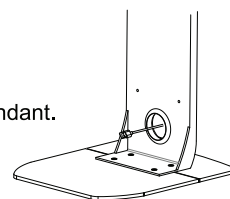


2

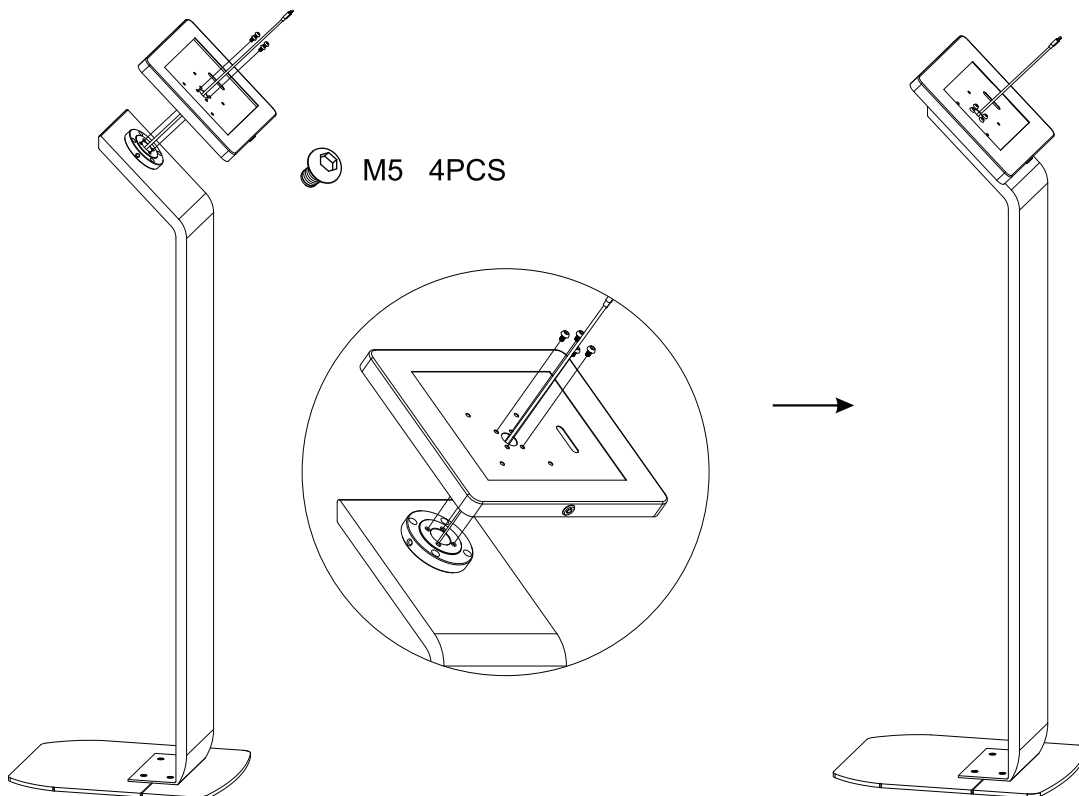


If your cable end is big, remove the ring first and pass the cable with weighted pendant directly through the opening.

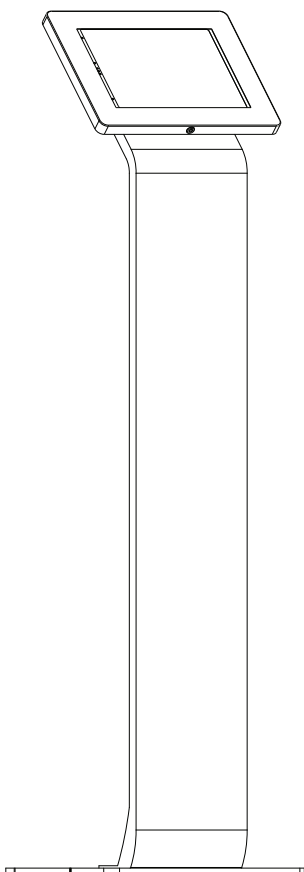
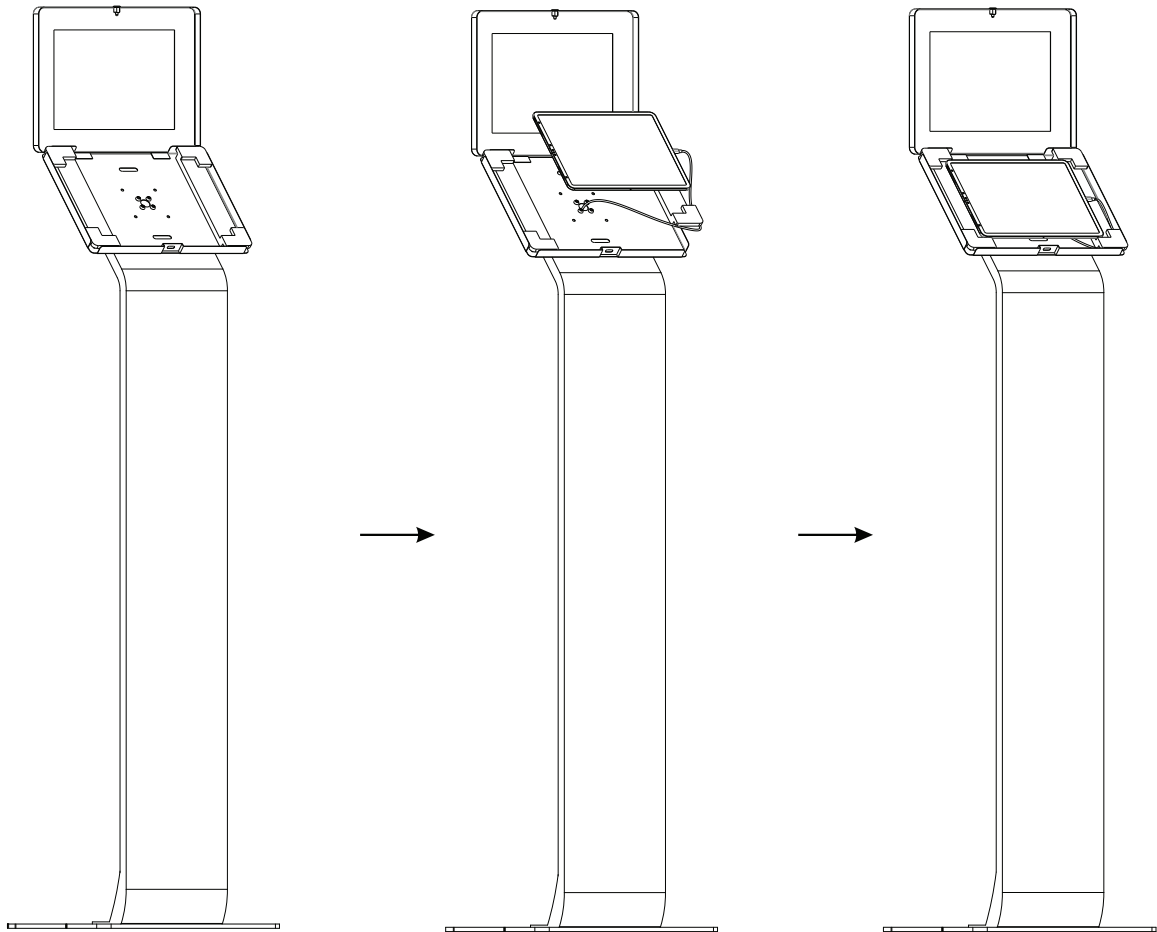
Cable out from back & remove the weighted pendant.



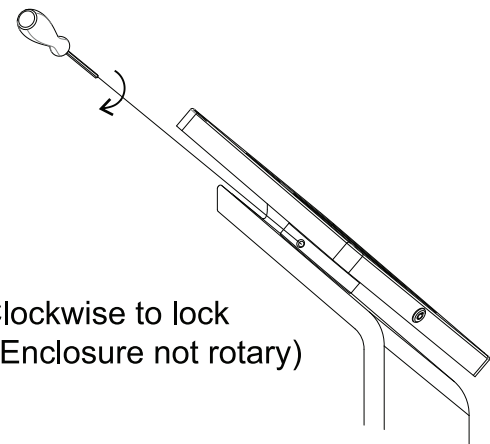
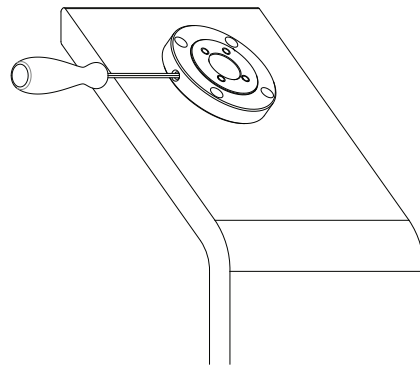
3



4



Locking point



Clockwise to lock
(Enclosure not rotary)