

Premium Kiosk Stand Station (Black/white)

for 9-11" Tablet



INSTRUCTION MANUAL

PAD-KSDK/PAD-KSDKW

Component Checklist

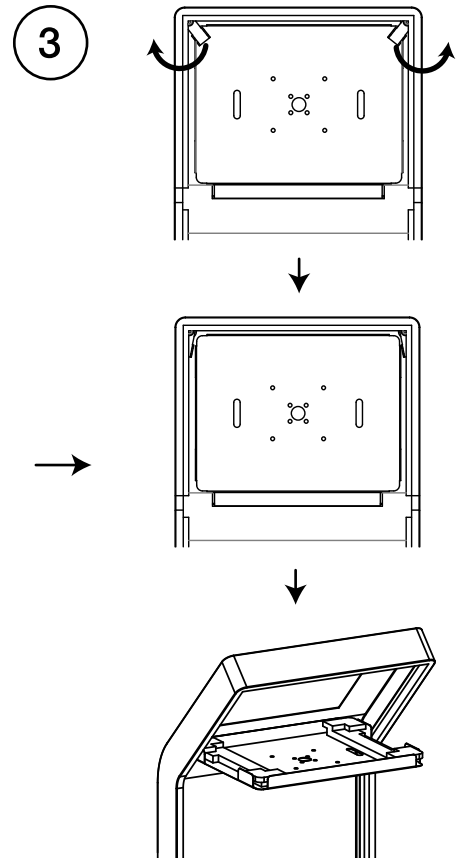
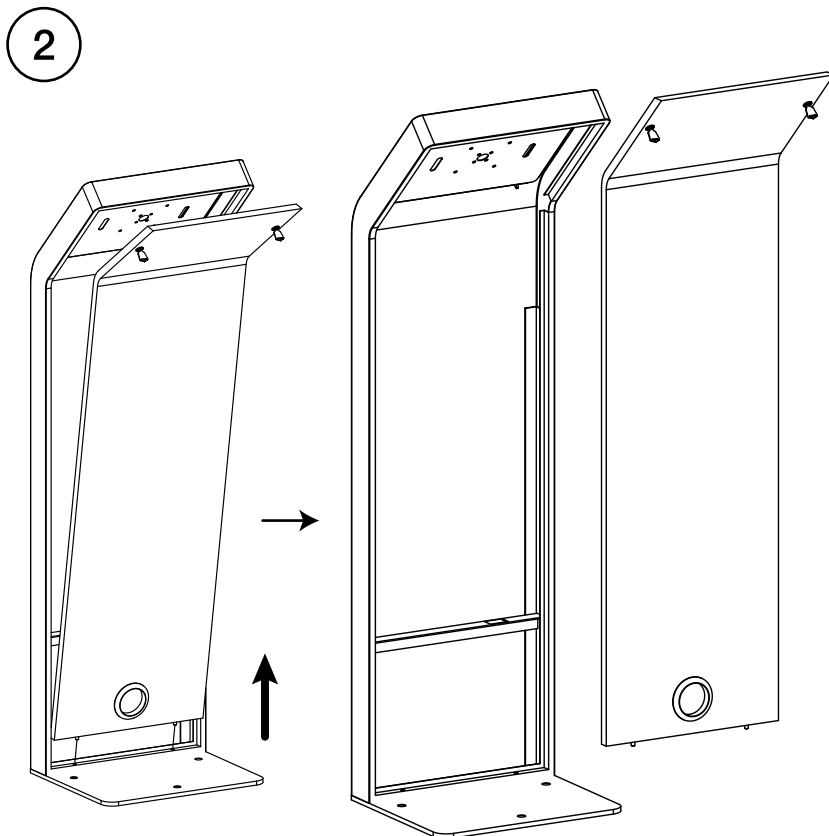
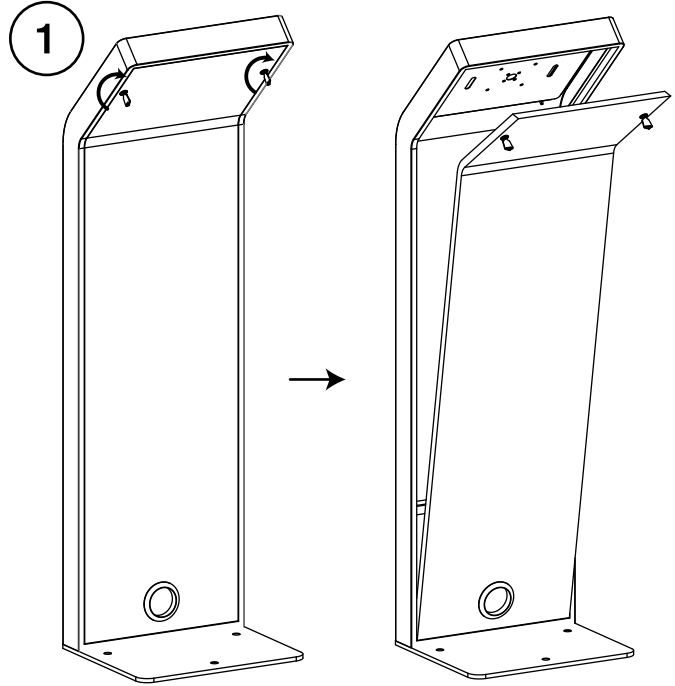
1x

3x

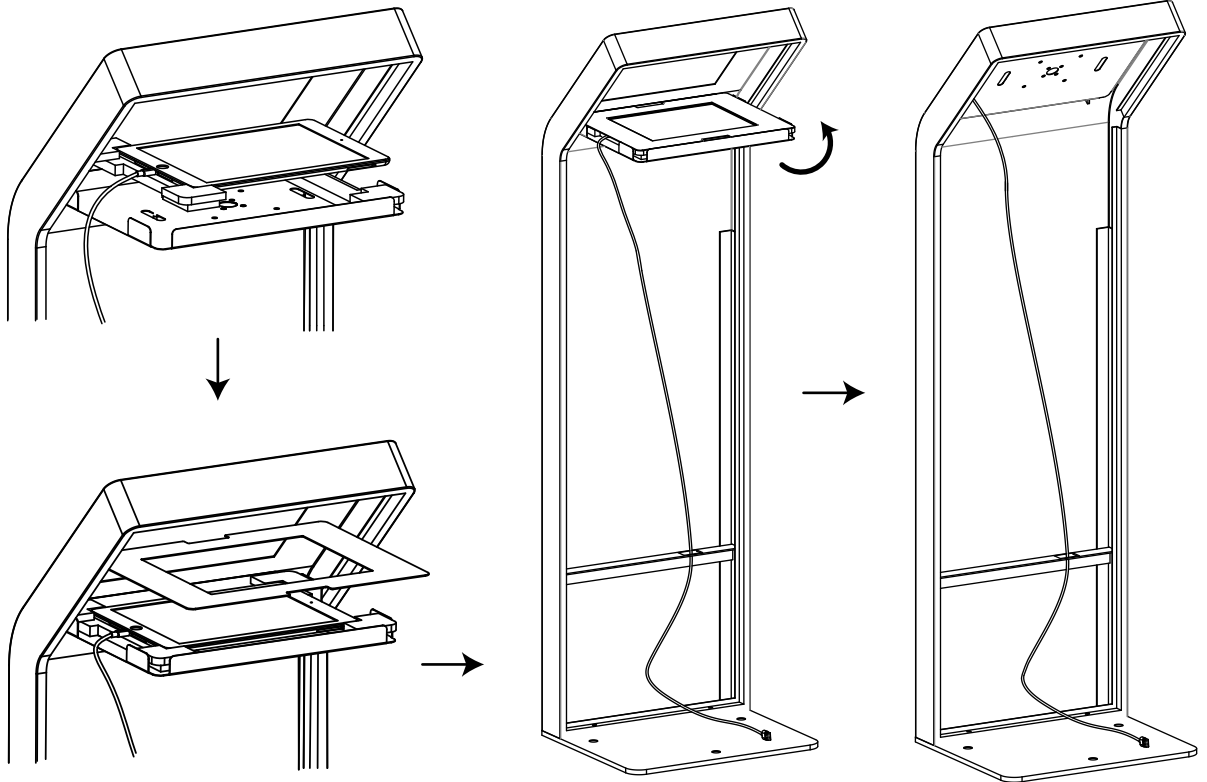
4x

8 sets (1 set=2 pcs)

black sheet:7pcs



4



5

Turn to lock the key

