



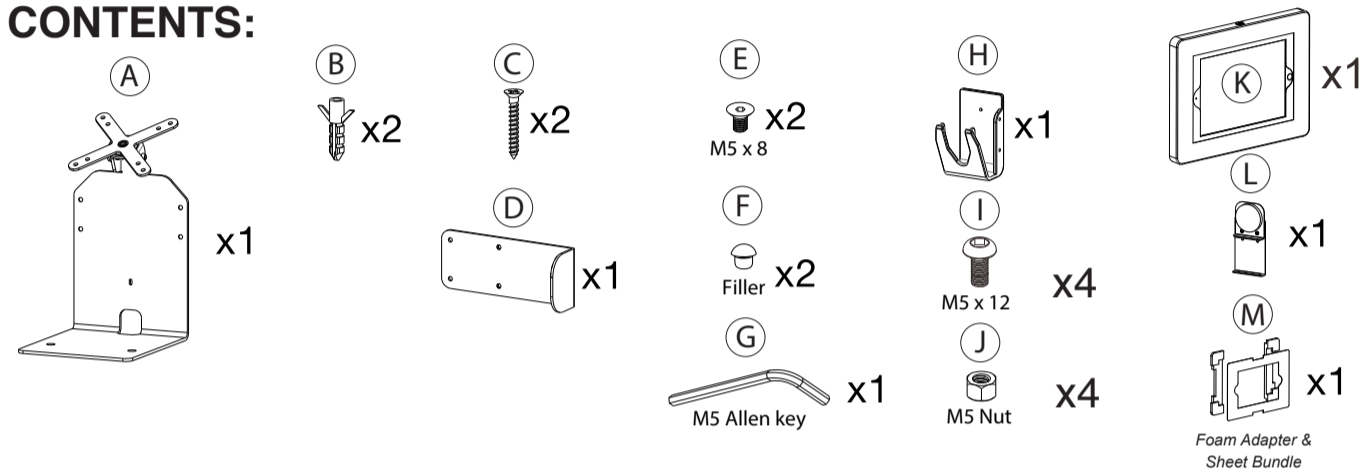
# POS Station with Printer Stand, Magnetic Scanner & Card Reader Holder w/ Paragon Enclosure

PAD-PARAPOS

INSTRUCTION - MANUAL

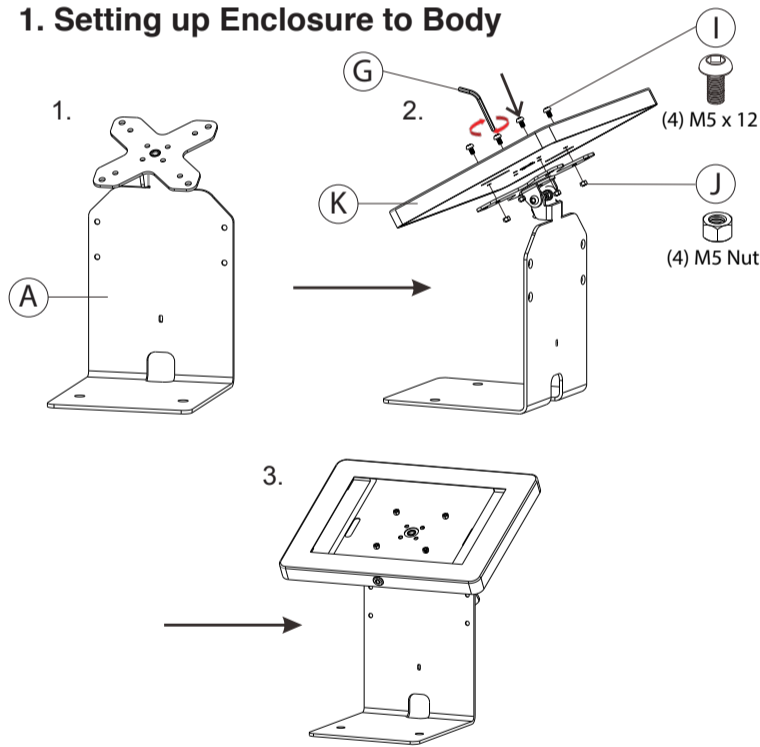
\*\*Note - Hinges may get looser and droop over time. Please tighten screws for optimum usage and efficiency.

## CONTENTS:



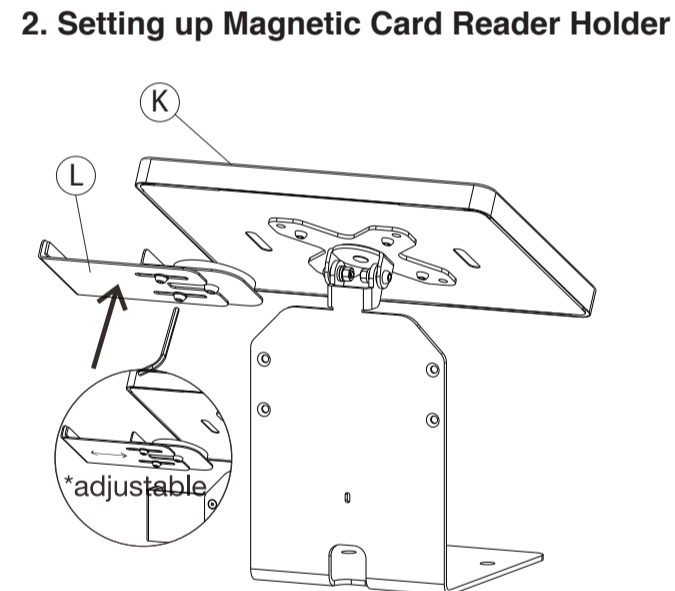
## INSTALLATION:

### 1. Setting up Enclosure to Body



1A. Align kiosk body VESA plate holes to Enclosure VESA holes. Then from above, rotate in screws (I) while holding the hex nuts (J) with your fingers from behind. Rotate until securely tightened.

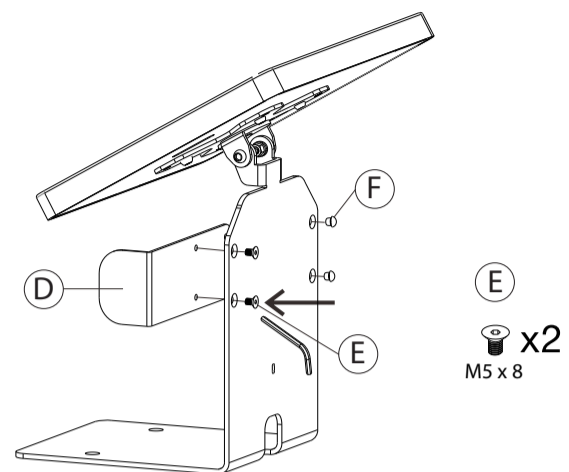
### 2. Setting up Magnetic Card Reader Holder



2A. Place the magnet side of the card reader holder (L) on the back side of the enclosure at desired location.

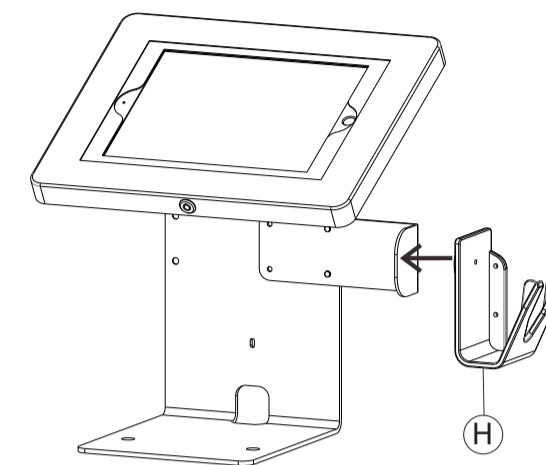
2B. Using the provided tool (G), loosen the screws on the back of the holder to match the width of your card reader holder. Once reader is securely in position in between the edges, tighten the screws on the back until securely tightened.

### 3. Assembling Arm for Scanner Holder



3A. Position the scanner holder arm (D) on either the left or right side depending on preference. Align the holes of the arm with regards to the same two holes on the kiosk body. Rotate in screws (E) until securely tightened with provided tool (G). Place the filler component (F) on the side that isn't using anything as shown above.

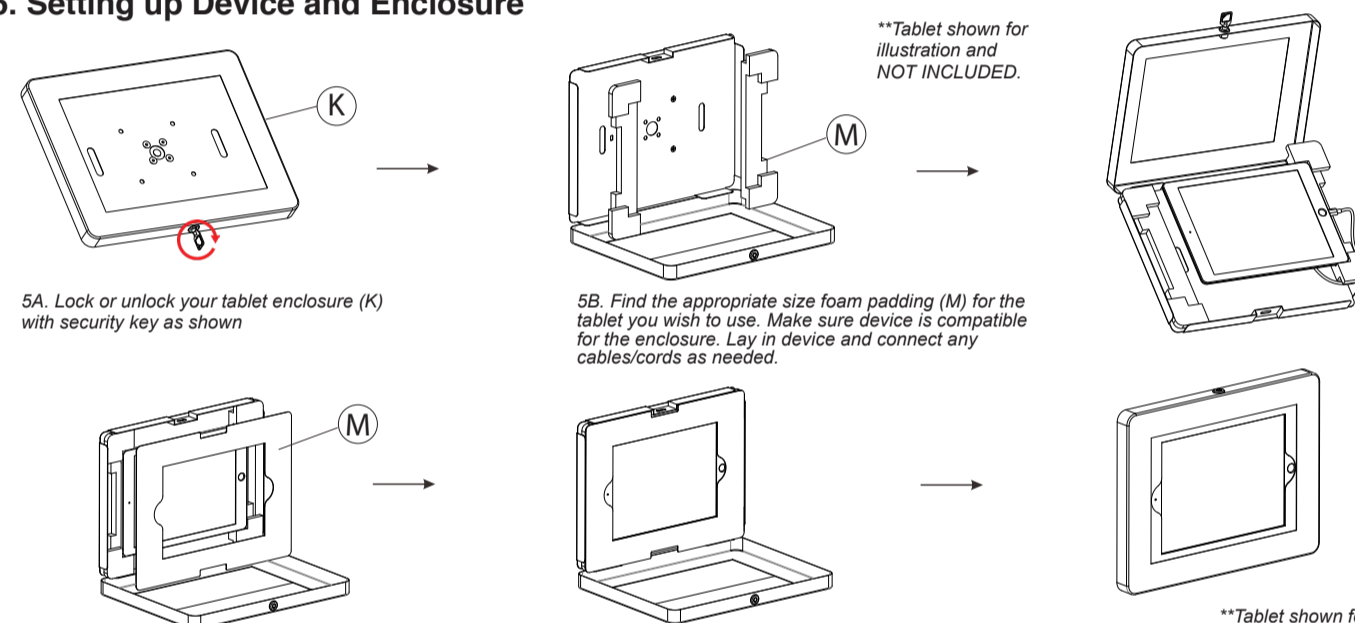
### 4. Setting up Scanner Holder



\*\*Tablet shown for illustration and NOT INCLUDED.

4A. With the magnet facing towards the arm, place your scanner holder as shown or any other preferred position that doesn't conflict with any other components or devices.

### 5. Setting up Device and Enclosure



5A. Lock or unlock your tablet enclosure (K) with security key as shown

5B. Find the appropriate size foam padding (M) for the tablet you wish to use. Make sure device is compatible for the enclosure. Lay in device and connect any cables/cords as needed.

5C. If needed, lay-in correct included masking insert (M). Close and lock enclosure afterwards and you're set

\*\*Tablet shown for illustration and NOT INCLUDED.

\*\*Tablet shown for illustration and NOT INCLUDED.

### Tilt Adjustability

Tilt front and backwards for preferred angles as needed.



\*\*Tablet shown for illustration and NOT INCLUDED.

### Static Mount (Optional)

Securely rotate in screws into holes in base for a static secure station setup