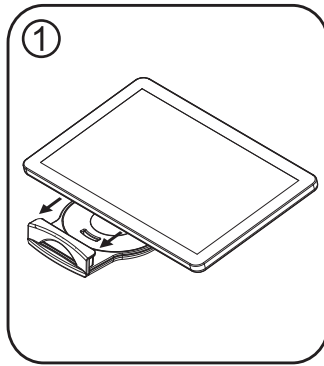


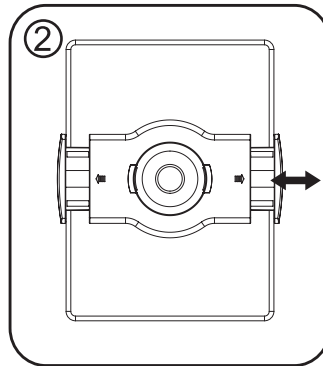


Quick Connect Universal Trio Tablet Mount with Height Adjustable Arms

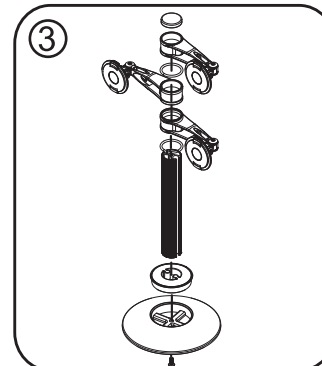
PAD-QC3M



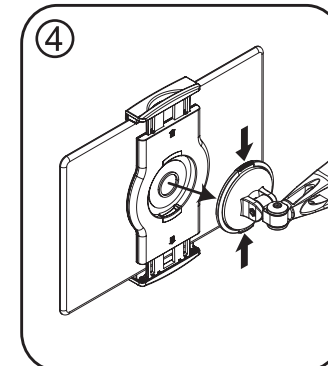
① Place tablet on one side of bracket



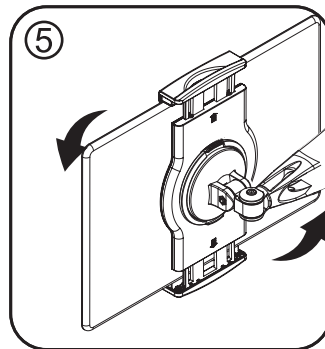
② Pull open the bracket over the tablet and release



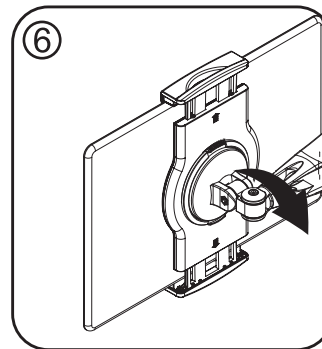
③ Simple assembly



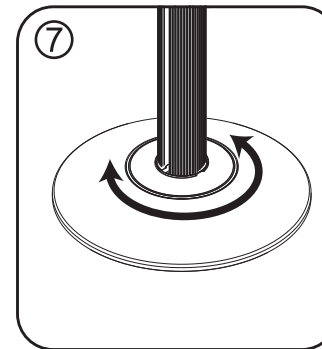
④ Press buttons, attach bracket, release buttons, and spin until you hear the click



⑤ Vertical view with angle adjustments



⑥ Horizontal view with angle adjustments



⑦ Reversible view and pivots 360°

Caution:Please ensure that tablet is securely fixed in.