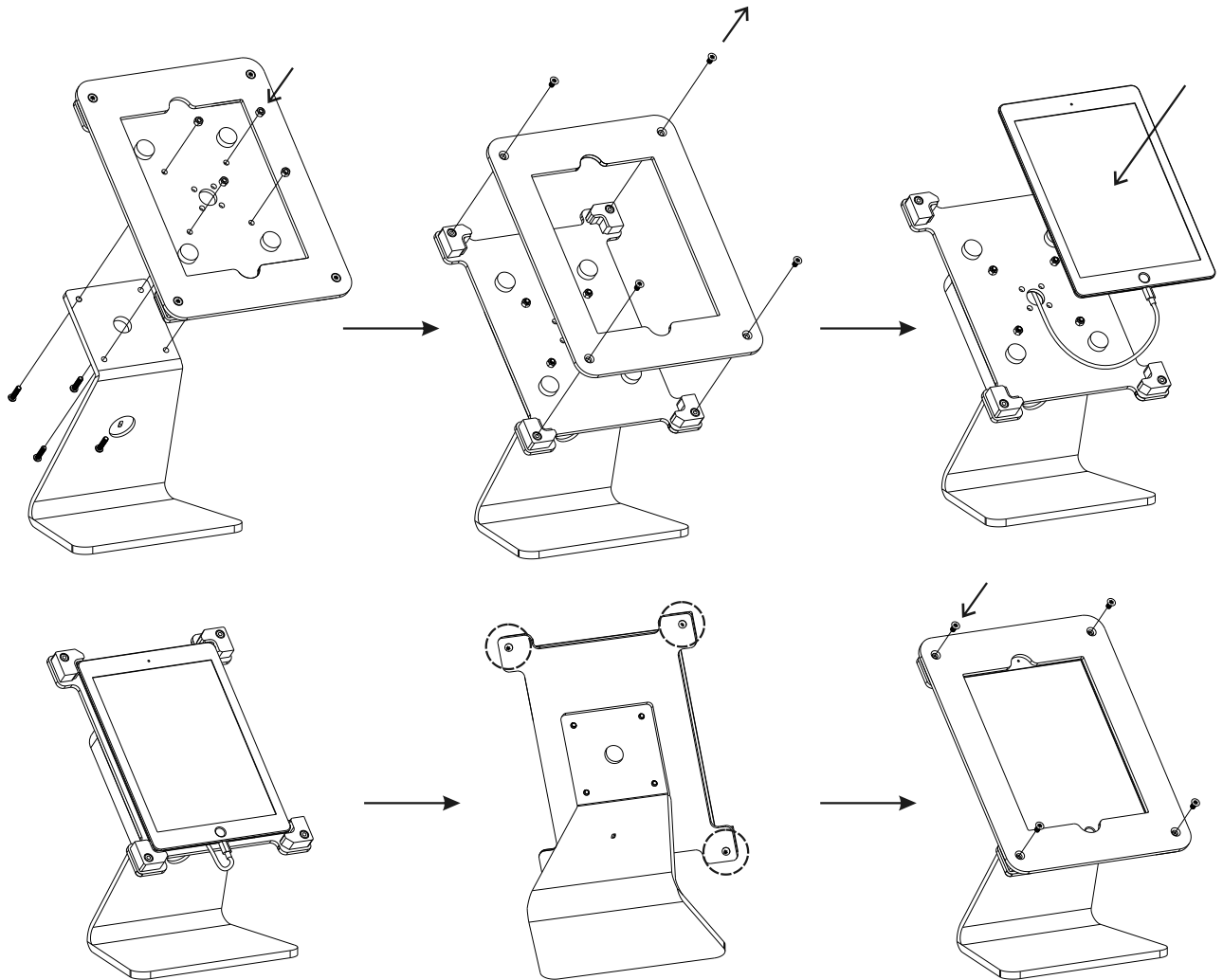




Security Translucent Acrylic Stand

INSTRUCTION MANUAL

PAD-STAS



4 Fitting corners are pre-installed. If position not accurate when install tablet, first loose the corner screws a little and adjust the corner position to fit the tablet. Tighten again after adjustment.

