



Single VESA Plate POS Station

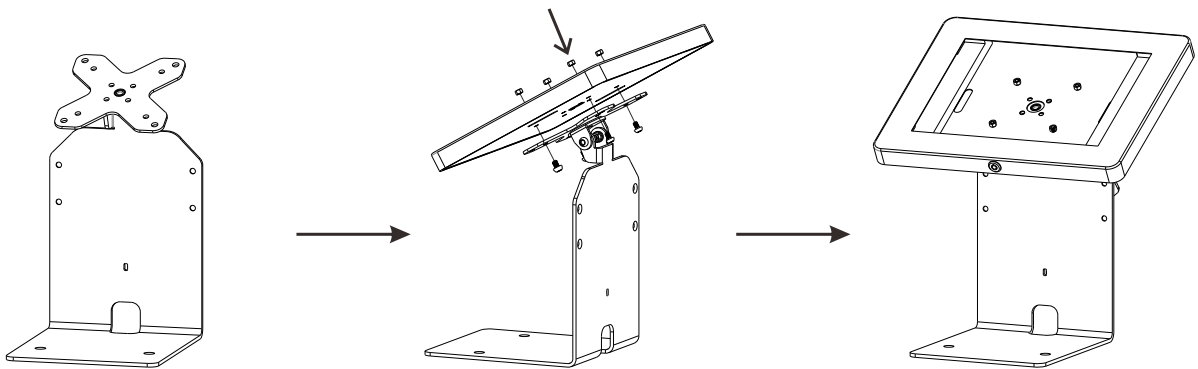
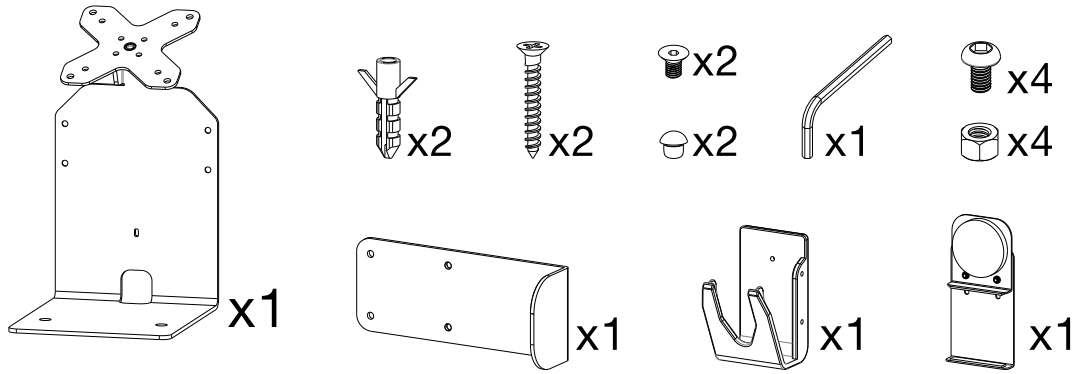
with Printer Stand, Magnetic Scanner & Card Reader Holder

INSTRUCTION MANUAL

ADD-PARAPOS

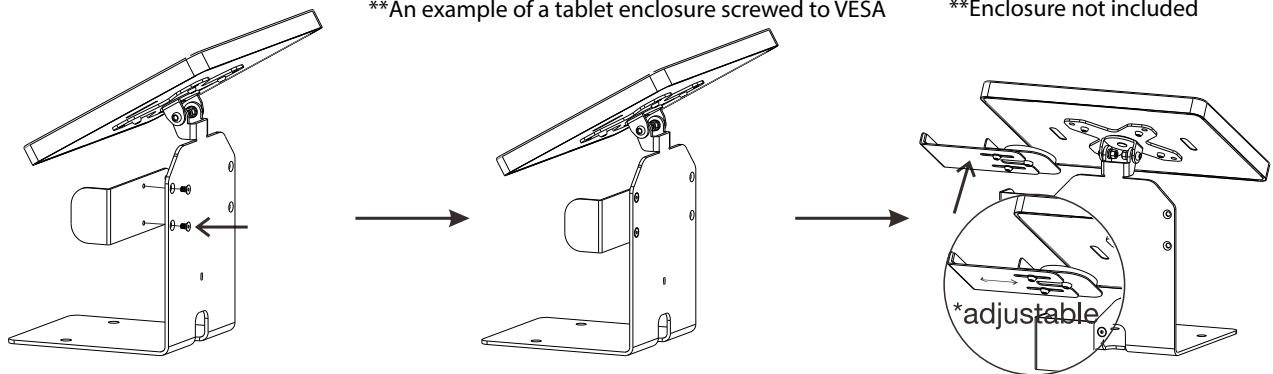
**Note - Hinges may get looser and droop over time. Please tighten screws for optimum usage and efficiency.

Component Checklist



**An example of a tablet enclosure screwed to VESA

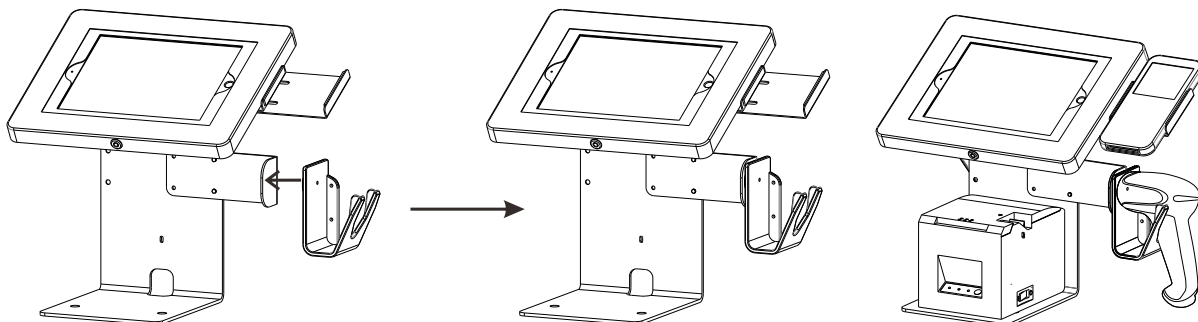
**Enclosure not included



**Enclosure not included

**Enclosure not included

*adjustable



**Scanner, Card Reader and Printer and Enclosure are not included

**An example of POS Station with full accessories