

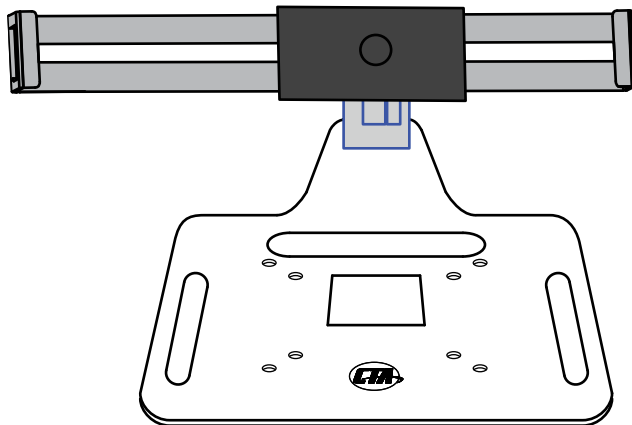


# ADD-VSLTP

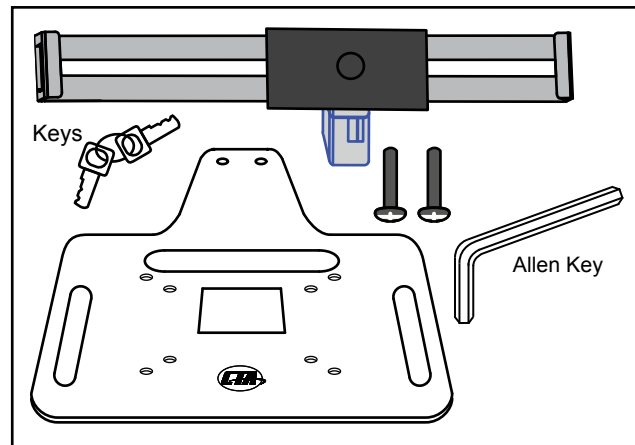
## VESA Compatible Security Laptop Plate

### INSTRUCTION MANUAL

Thank you for choosing CTA Digital's product. We hope that you will enjoy using it. Please follow the guidelines and instructions as laid out in this instruction manual.

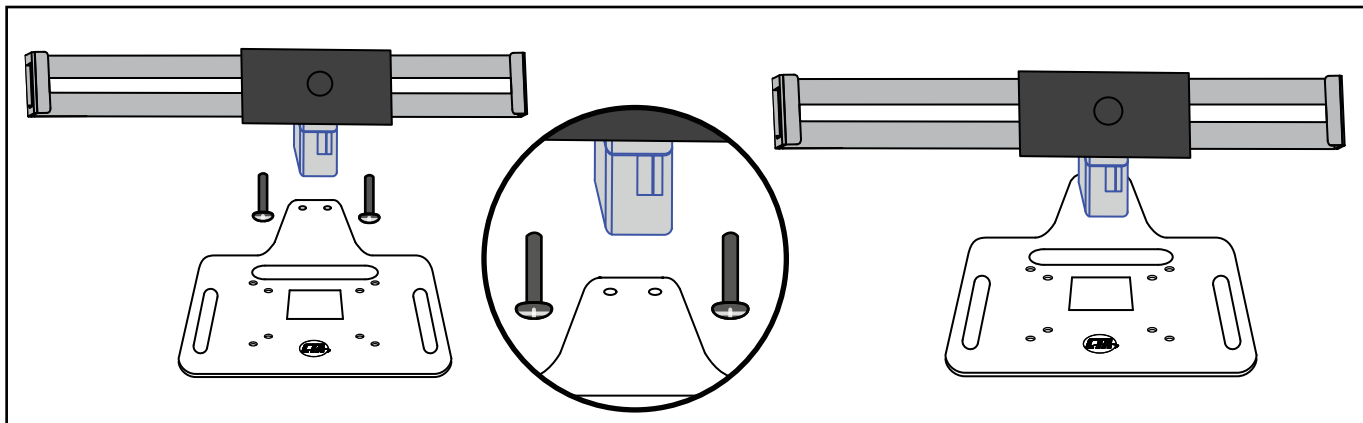


#### Package Contents:



#### Instructions:

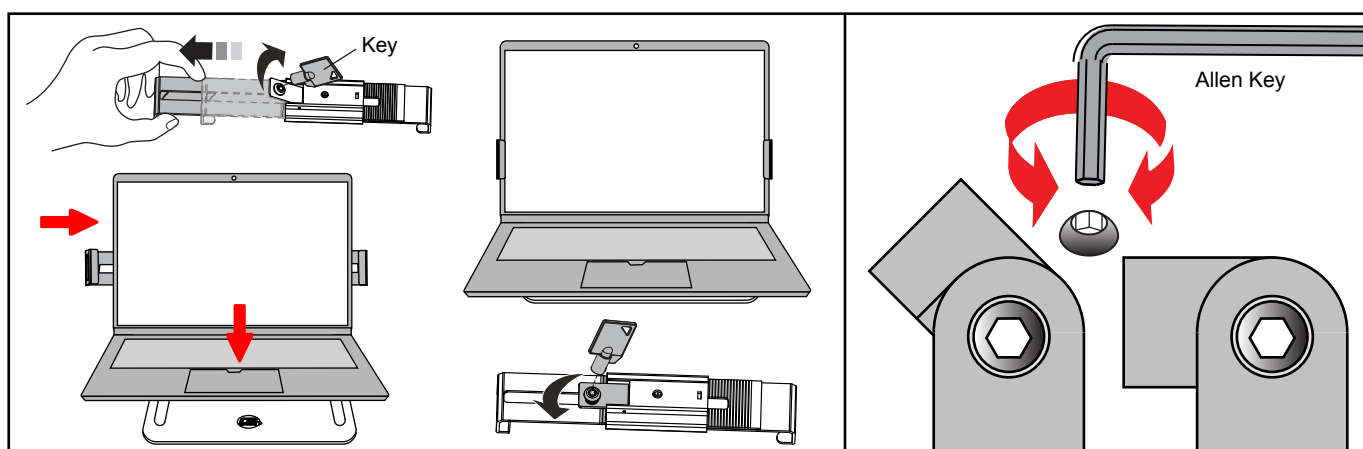
##### 1. Connecting the Holder to the Laptop Plate



Screw up the screws by a screwdriver to connect the Holder to the Laptop Plate.

This Security Laptop Plate Allows you to connect with other VESA Devices.

##### 2. Installing your Laptop to the Holder & Base Plate.



Insert key into lock at back of holder. Turn clockwise to unlock, then slide to open. Install Laptop against fixed end, then slide closed to hold tight. Turn counter-clockwise to lock, then slide to open. And you are ready to enjoy it.

The hight of the holder allows you to adjust your Laptop screen angle. Loosen and tighten the screw of the hingle with Allen Key to adjust the angle of the holder.

[SUPPORT@CTADIGITAL.COM](mailto:SUPPORT@CTADIGITAL.COM)