

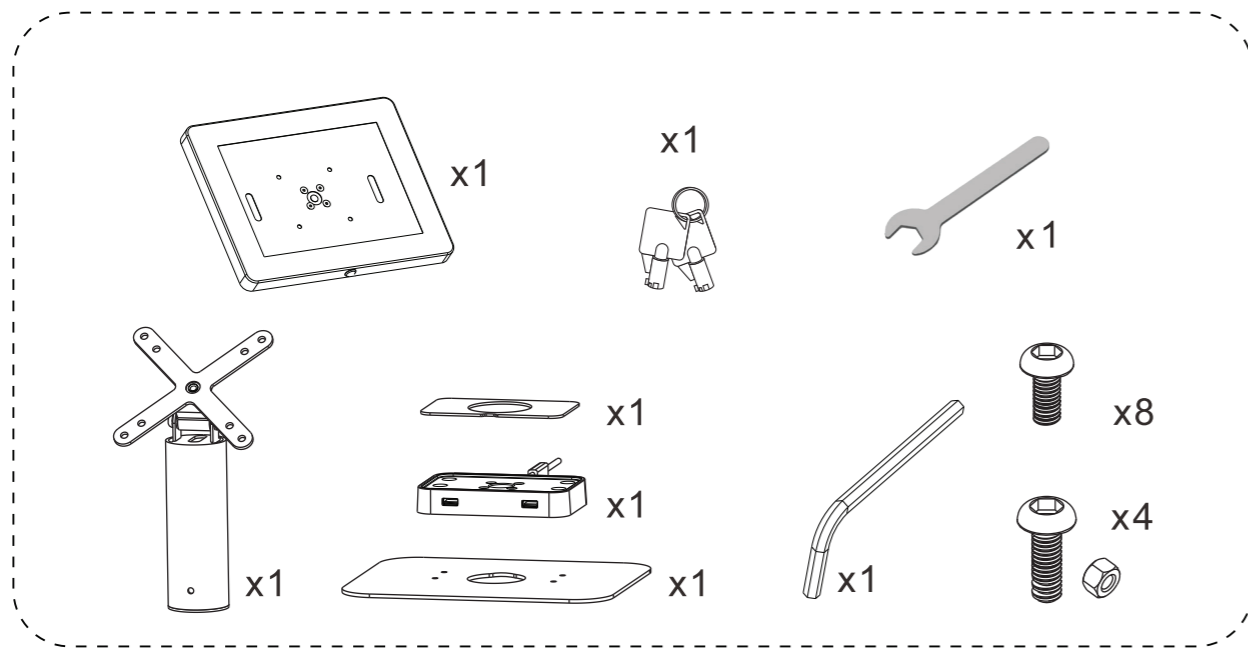


Desk Mount with Integrated 2 Port USB Hub w/ Security Enclosure

USER MANUAL

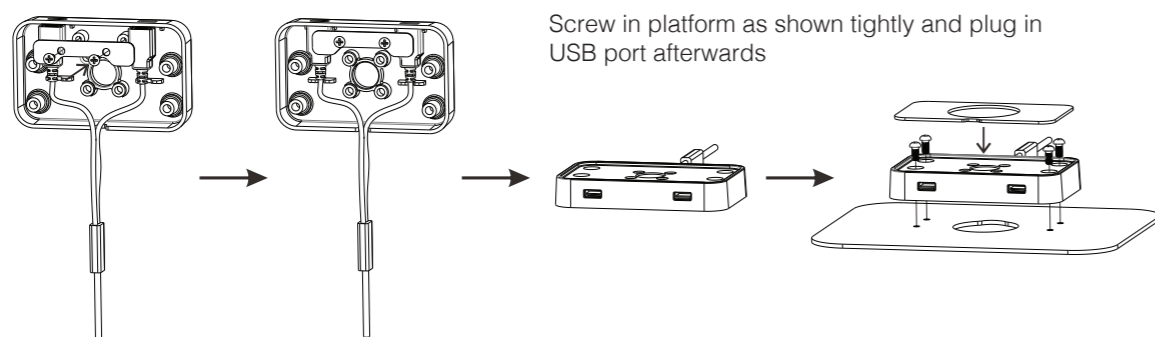
PAD-USBPARA

Contents:



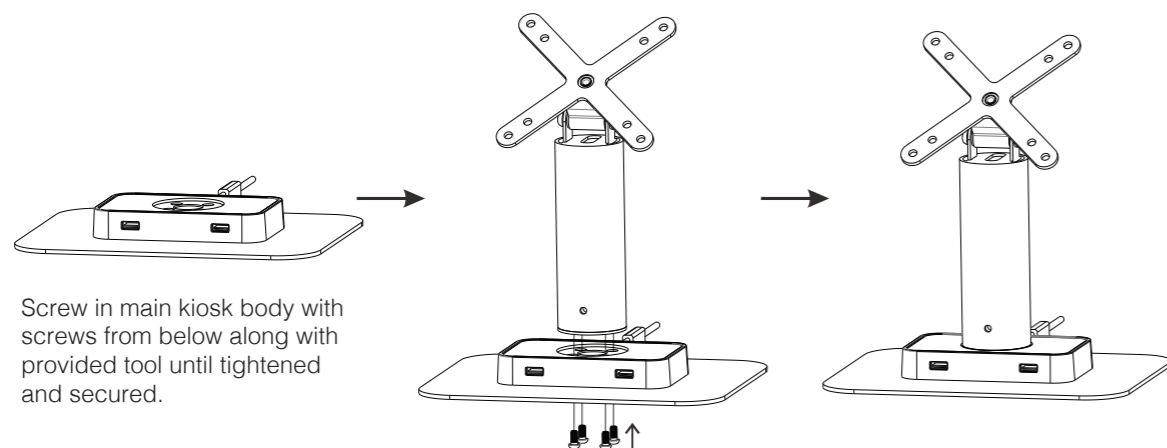
Instructions:

1. Installing Desk Mount Base Platform Components:



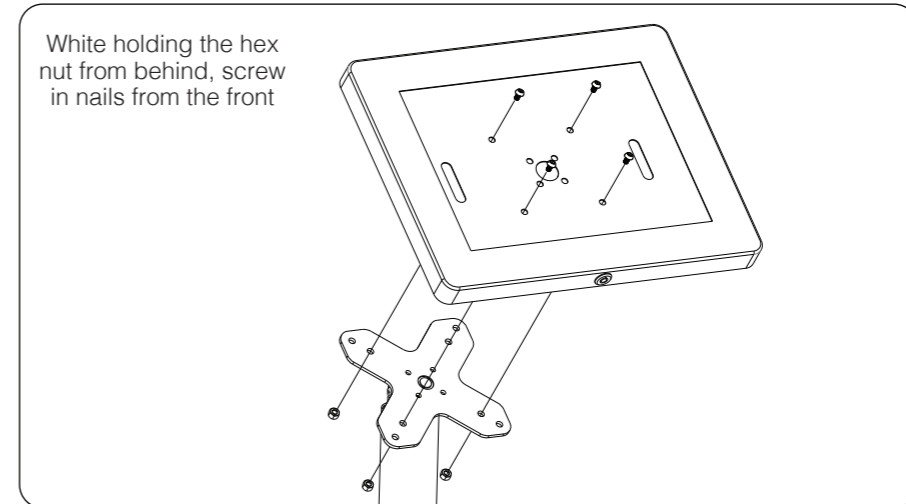
Screw in platform as shown tightly and plug in USB port afterwards

2. Installing Desk Mount Main Body:



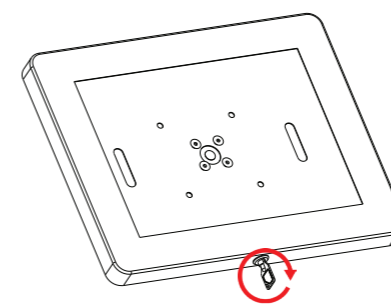
Screw in main kiosk body with screws from below along with provided tool until tightened and secured.

3. Mounting Enclosure to VESA plate:

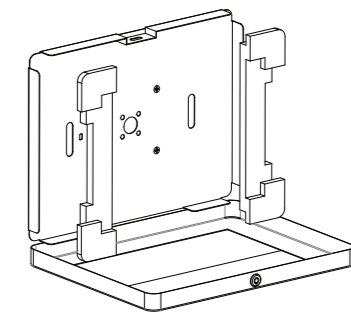


While holding the hex nut from behind, screw in nails from the front

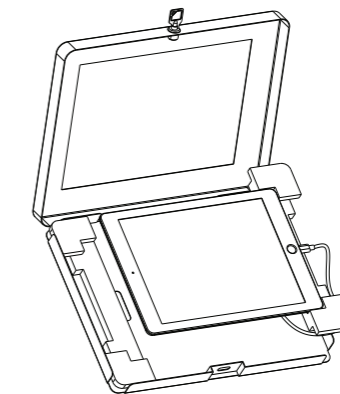
Setting up Enclosure and Tablet



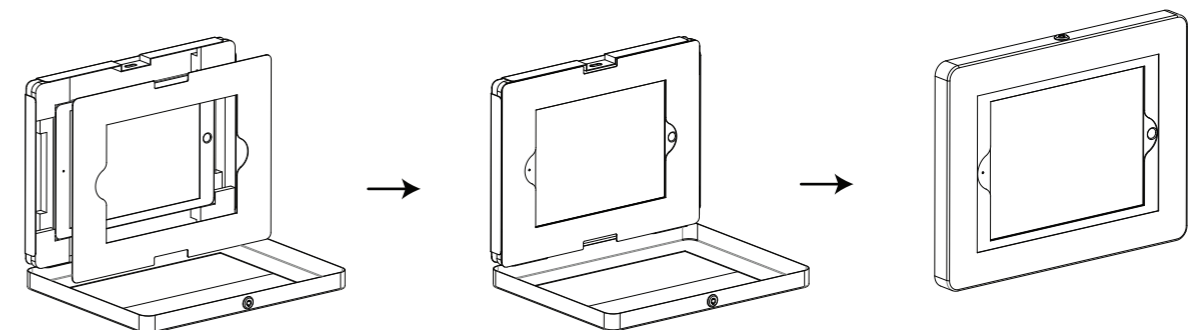
1. Unlock the tablet enclosure by rotating the key until it pop opens



2. Find the appropriate size foam padding (included) for the tablet you wish to use. Make sure device is compatible for the enclosure



3. Lay your device in and connect any cables or cords you have



4. If needed, make sure to lay-in the correct masking cover. Then close and lock the enclosure and you're ready to go.