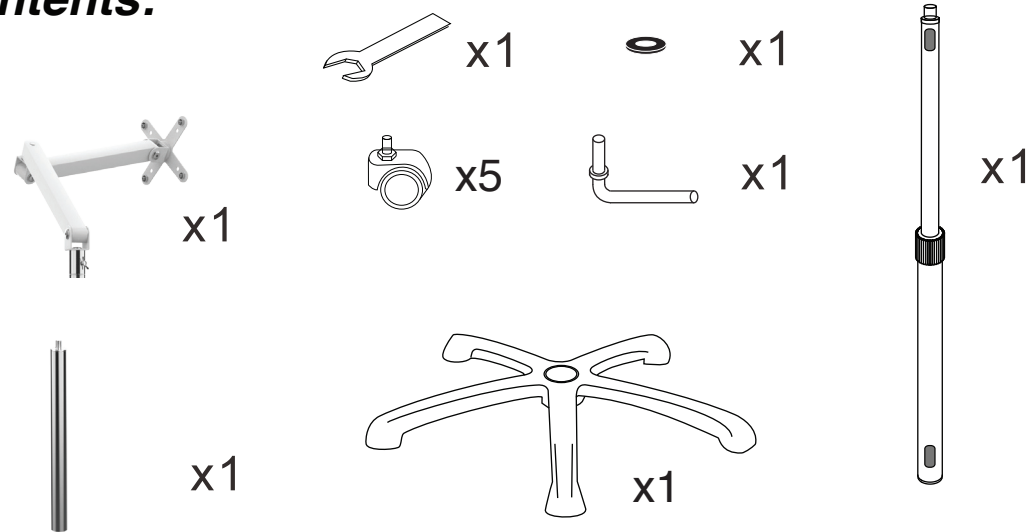




Heavy-Duty Security Gooseneck Floor Stand with VESA-Compatible Articulating Arm

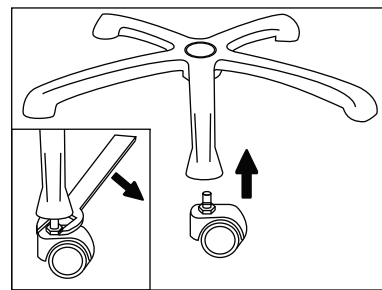
USER MANUAL
PAD-HFSFA

Contents:

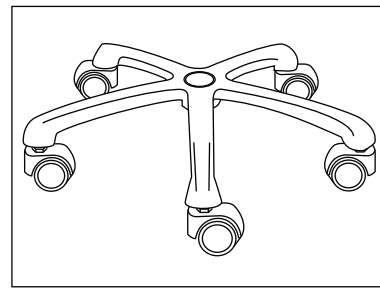


Instructions:

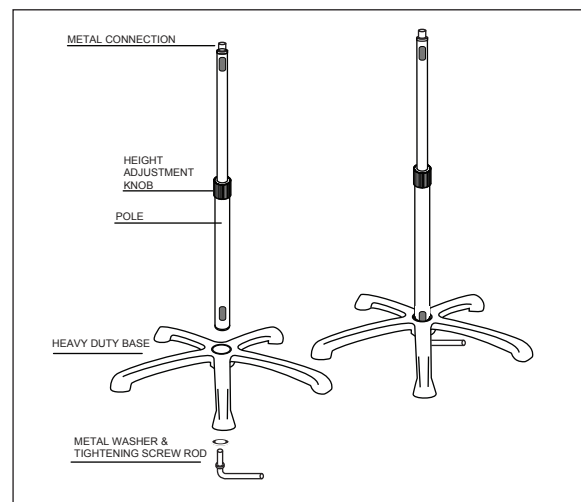
1. Installing the Wheels on the Base Components



1. Connect wheels to stand base before attaching pole. Screw wheels into floor base by hand, then use wrench to securely tighten.

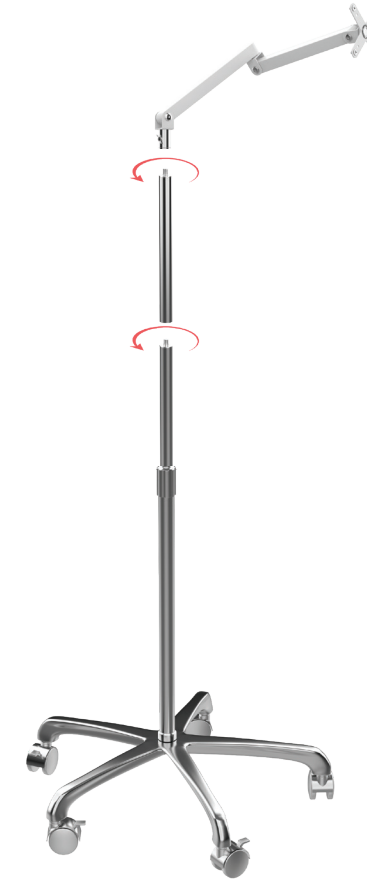


2. Setting up Stand Assembly



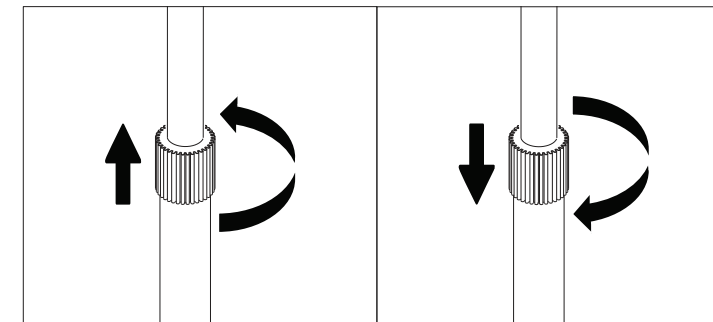
1. Insert the pole into the center of the heavy duty base.
2. Place metal washer over tightening screw rod, then screw into the bottom side of the stand base center. Turn clockwise to securely tighten.

3. Installing Components Together



1. Take the base component and the extender pole and rotate and screw together.
2. Take the combined extender pole and base, screw and rotate on the flex arm

When Adjusting Pole Height



1. Rotate to loosen grip

2. Raise or lower metal pole to desired height. Rotate opposite direction to tighten and secure height.

When Installing a VESA Compatible CTA Enclosure

