



Dual Enclosure Locking Floor Stand Kiosk with Customized Graphic Insert (White)

for 7-14 Inch Tablets

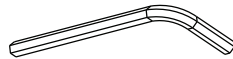
USER MANUAL

PAD-PARAF2WGRA

PACKAGE CONTENTS:



x1



x1



x4



x1



x4



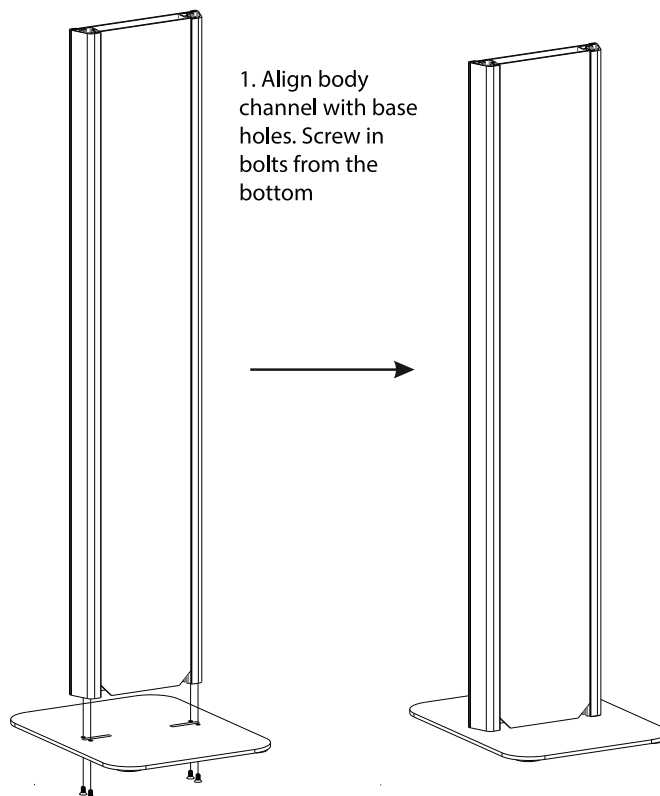
x4



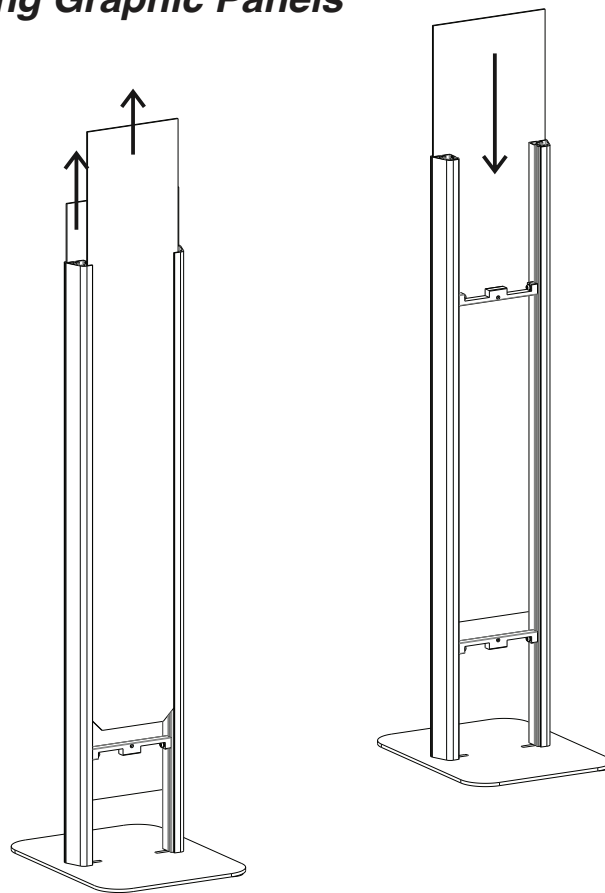
x1

INSTRUCTIONS:

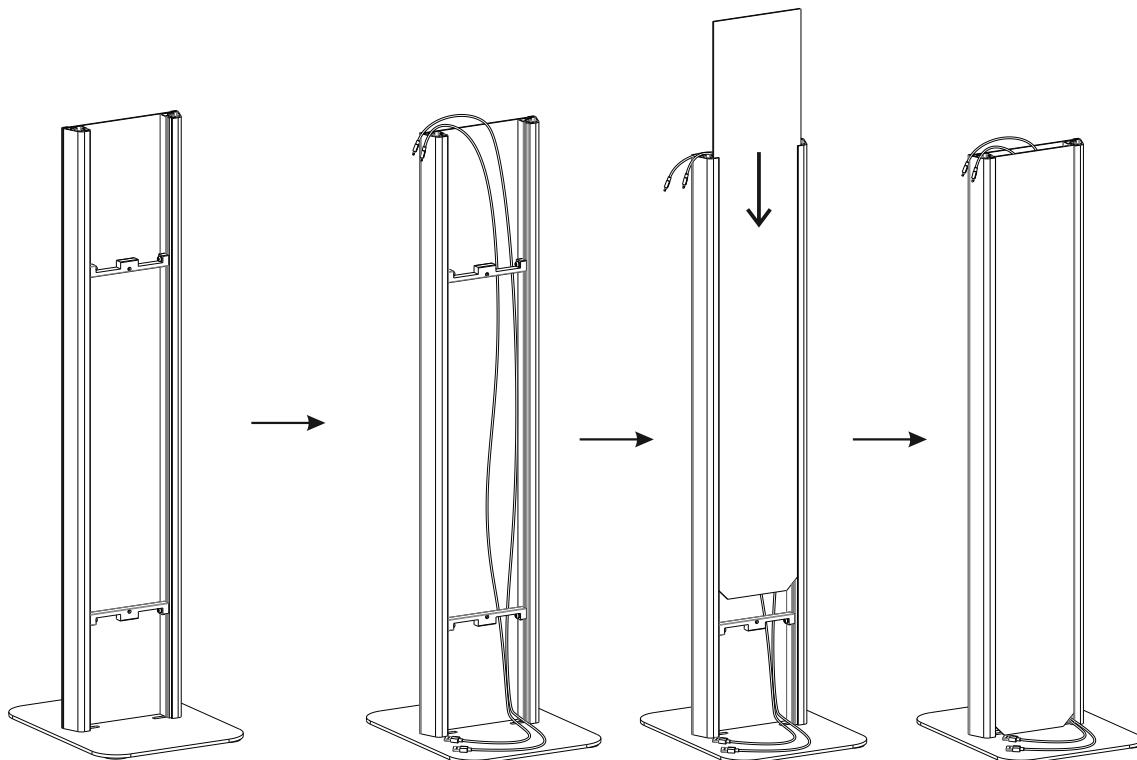
1. Install kiosk body to base



2. Placing or Removing Graphic Panels



3. Cable Management through Kiosk Body

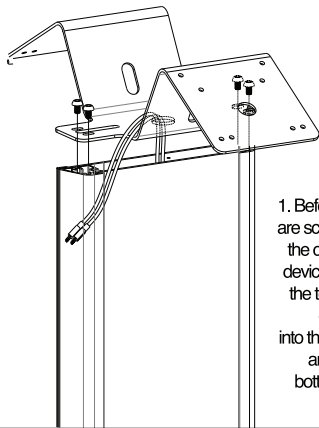


5. Slide out back graphic slot from channel

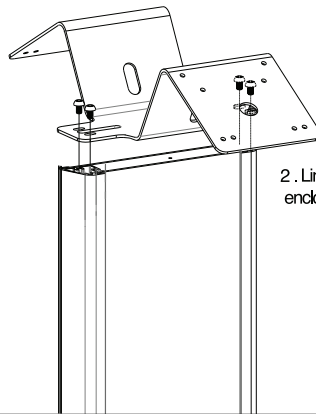
6. While back panel is out, slide in device cord for cable management

7. Once cable management is set up, slide graphic slot back into place

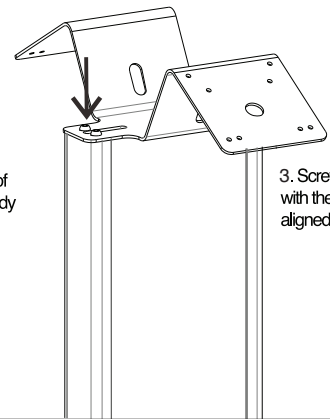
4. Install Dual VESA Connection and Cable Routing



1. Before enclosures are screwed in, path the cording of the device through the the top enclosure opening into the hollow body and out the bottom opening



2. Line up holes of enclosure with body



3. Screw in bolts with the holes aligned.