

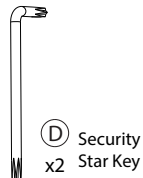
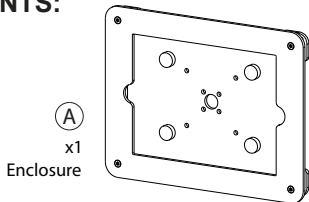


Acrylic Security VESA Enclosure

PAD-ASVEB / PAD-ASVEV

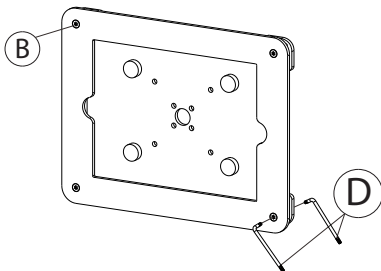
INSTALLATION - MANUAL

CONTENTS:

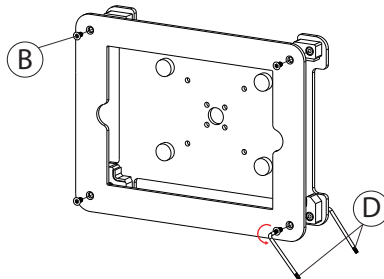


INSTALLATION:

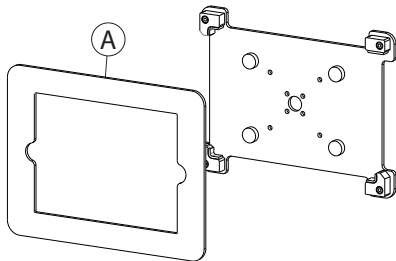
1. Removing enclosure top :



1A. Align the security star keys x2 (D) and insert it one in the front screw (B) and one in the Back screw (C) as shown.

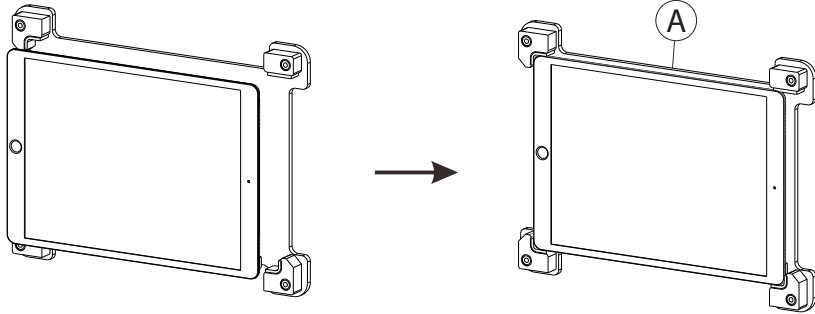


1B. While holding the back security star key (D) tight in place Turn the front security star key (D) counter clock-wise until all 4 Screws(B) are unscrewed.



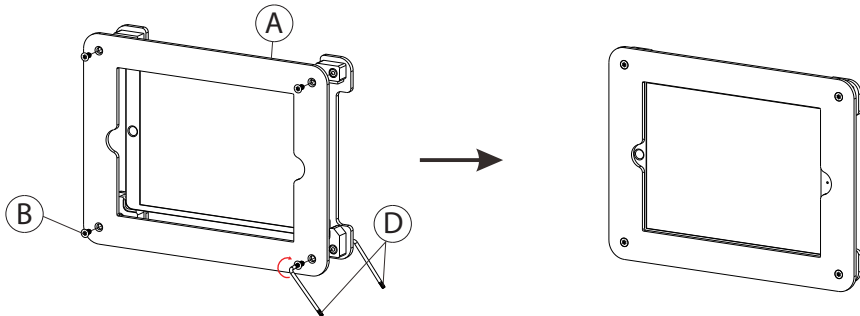
1C. Separate front part of enclosure (A) as shown.

2. Inserting the tablet :



2A. Using one of the compatible listed tablets, insert into the foam adapters for a secure and tight fit. Insert tablet in back part of enclosure (A) as shown. Watch out orientation of tablet.

3. Attach enclosure top :



3A. Take the detached enclosure top (A), align the corner holes with the bottom portion. Then use the provided security star key (D), turn in clock-wise the star screws until securely tightened while holding the security star key (D) on the other side with your other hand. Screw in until securely tightened.

Rotation Details



Can install the enclosure in surface either portrait or landscape mode as needed.