

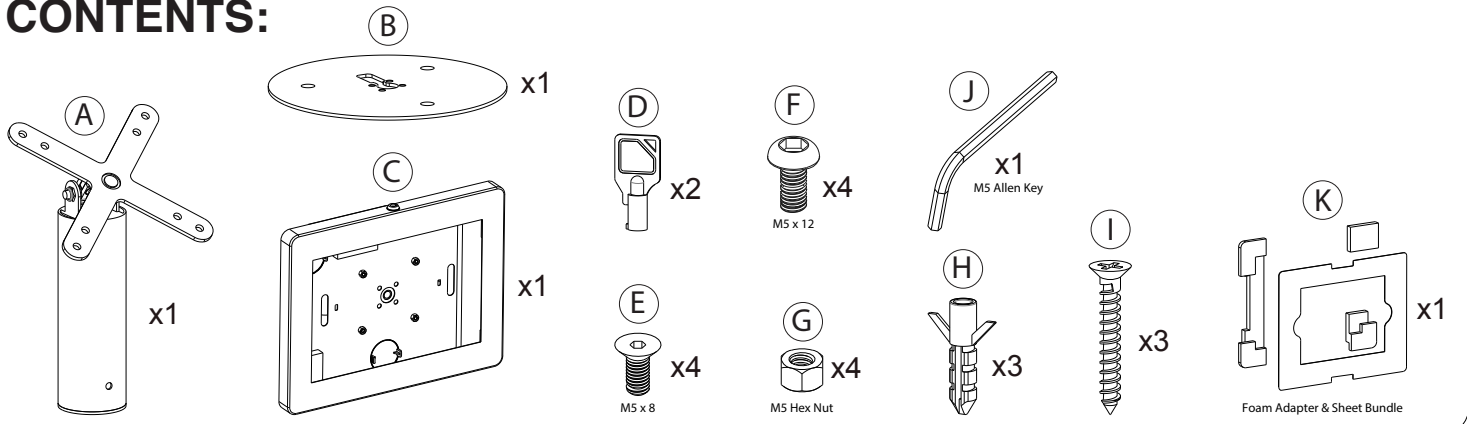


Hyperflex Security Kiosk Stand for Tablets

PAD-HSKSBS / PAD-HSKSWS

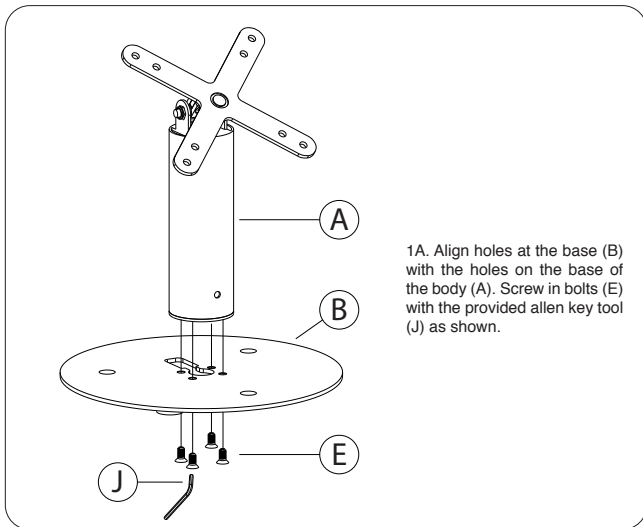
INSTALLATION - MANUAL

CONTENTS:

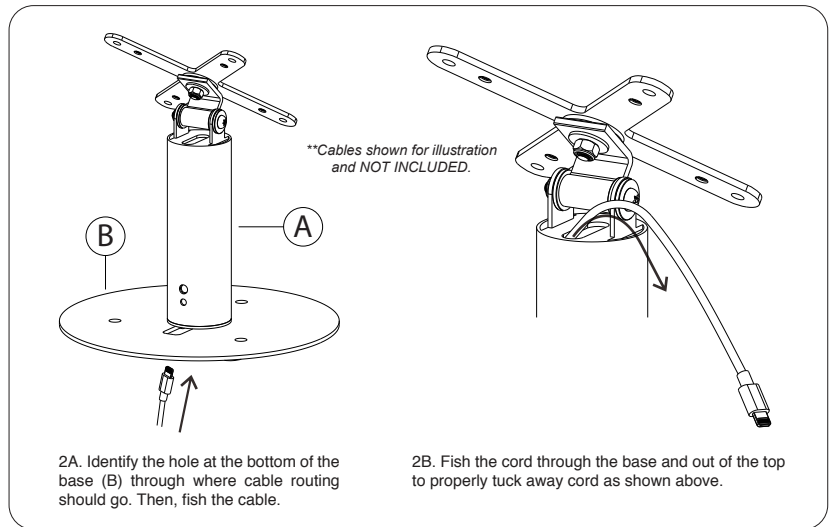


INSTALLATION:

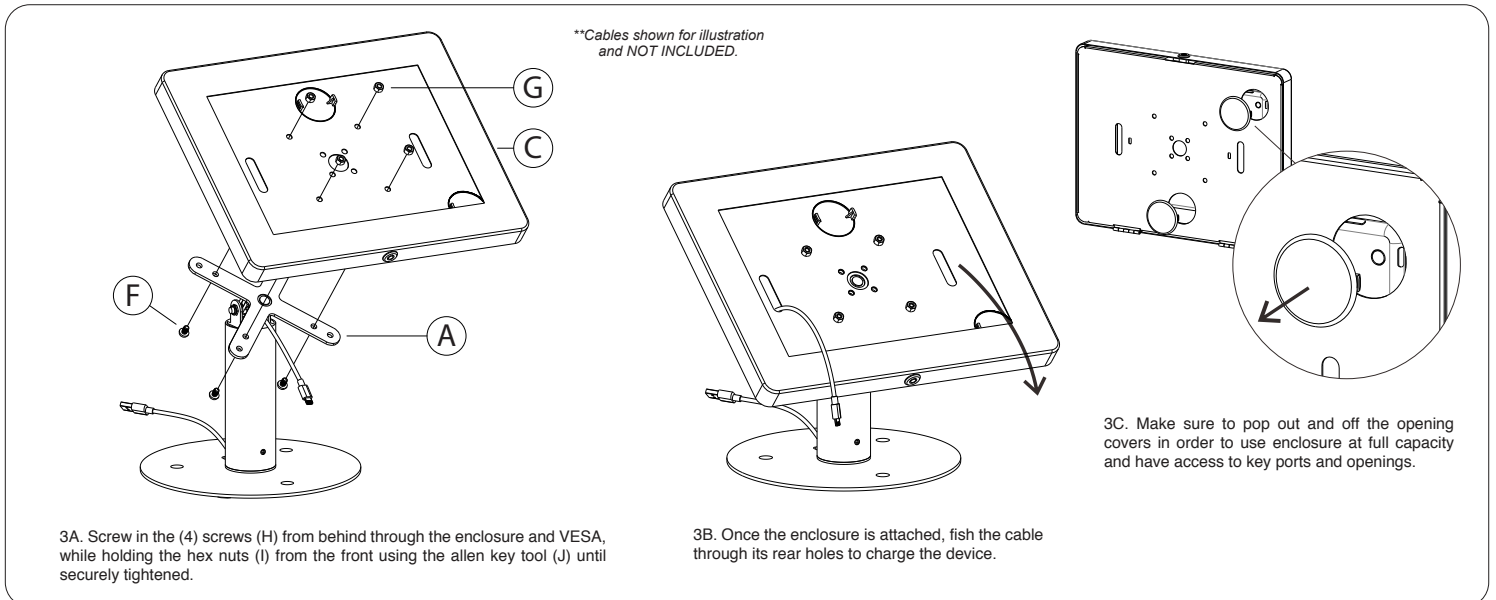
1. Assembling Base



2. Cable Managing

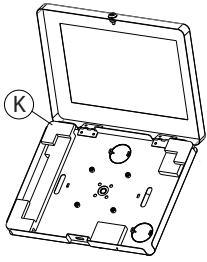


3. Attaching and Setting up Enclosure

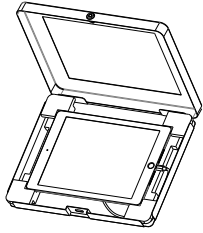


Setting Up Device & Enclosure

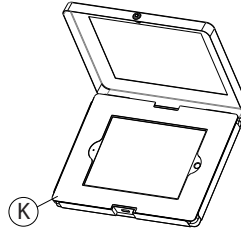
****Tablet shown for illustration and NOT INCLUDED.**



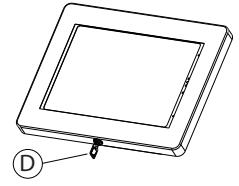
Insert the appropriate foam piece (K) that is compatible with your tablet.



Insert tablet as shown. Plug in power cable to tablet and cable route through the back.

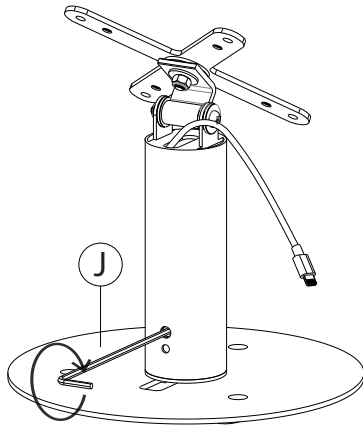


Place the appropriate provided tablet cover (K) to match your tablet.



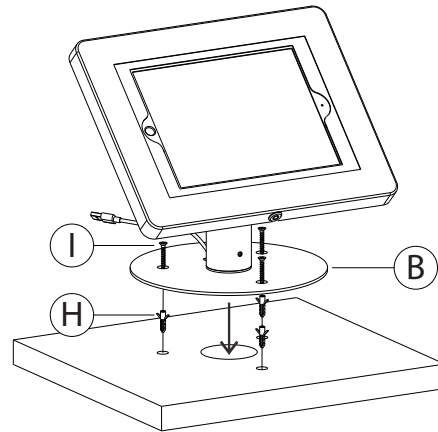
Close the enclosure and lock it with the included set of keys (D).

Optional Locking Base Rotation



Turn clockwise to prevent body rotation using the provided allen key tool (J).

Optional Mounting into Surface



Insert the anchors (H) into the pre-drill holes and then rotate in the nails (I) to the mounting surface as shown above using drill or screwdriver (not included).